

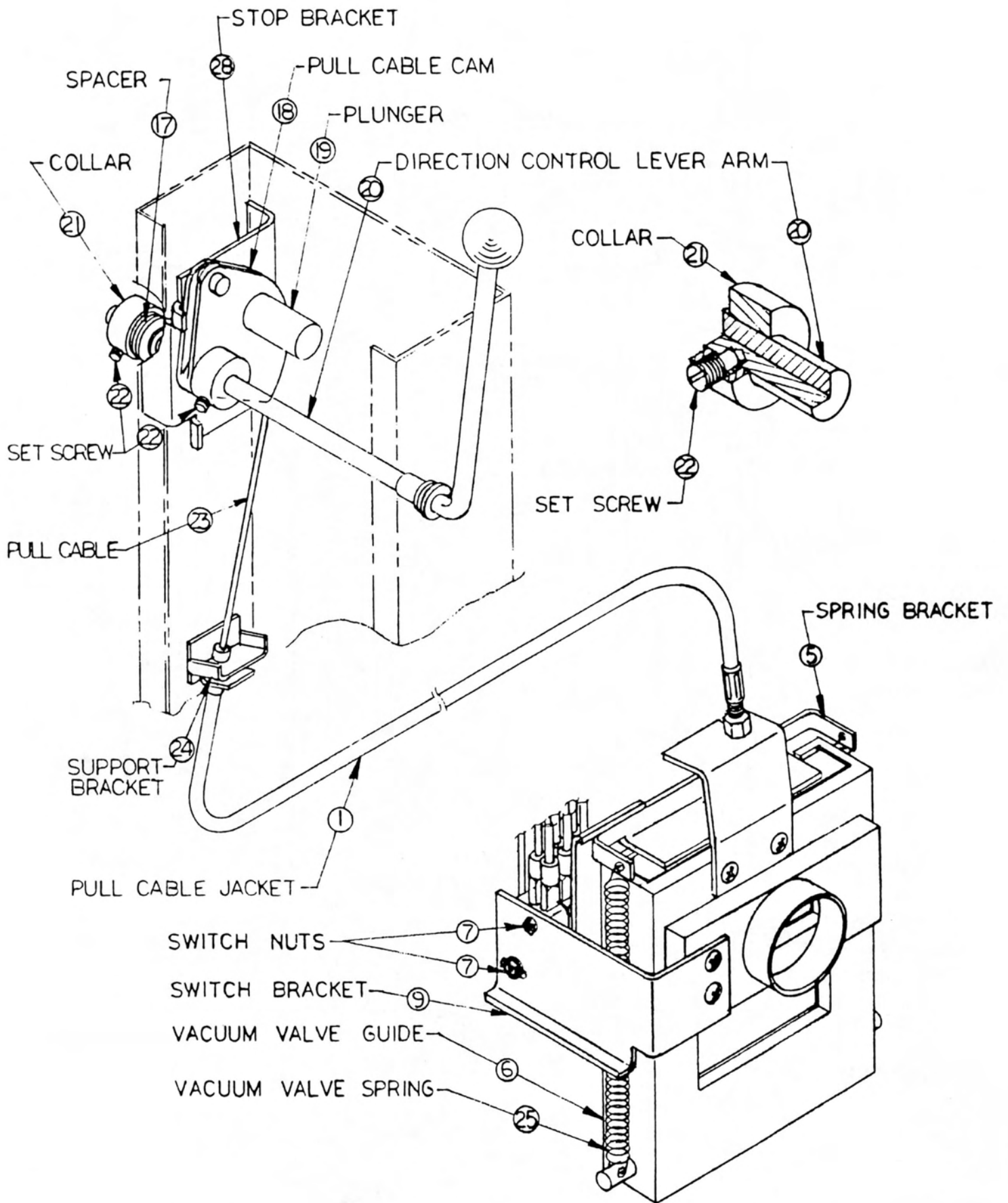
SUPERNOVA 800 & I200
VACUUM VALVE AND BRUSH MOTOR REVERSE SWITCH
ADJUSTMENT PROCEDURES

VACUUM VALVE PULL CABLE ADJUSTMENT _____

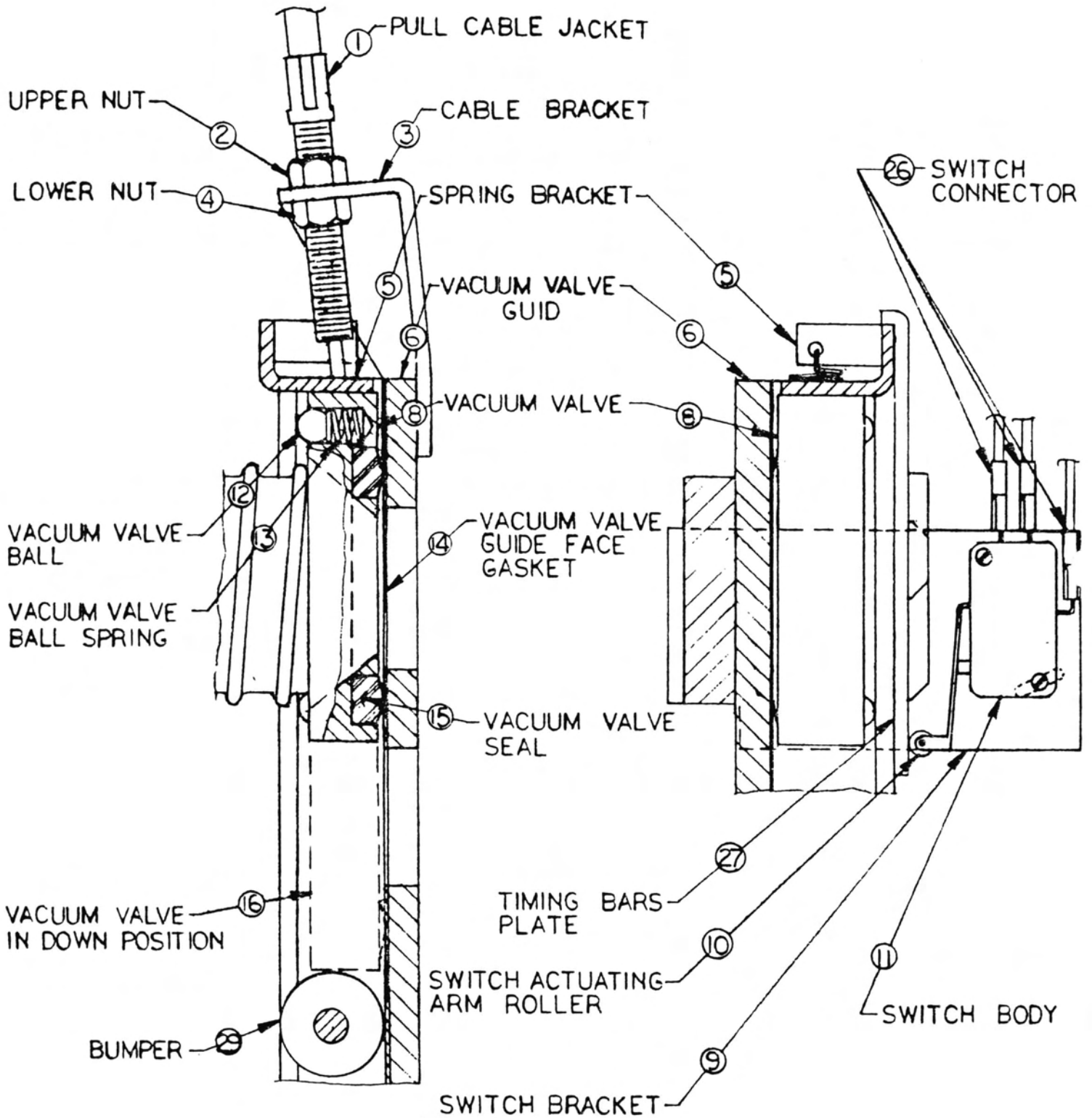
1. Drain the solution tank, and remove the recovery pails from the machine.
2. Make sure the power cord is unplugged from the power receptacle.
3. Shift the direction control lever arm to the up (backward) position.
4. Open the machine's motor housing by actuating the latch handle lever and lifting the motor housing from the front.
5. To MOVE THE VACUUM VALVE, item (8), UP:
 - Step 1. Loosen the lower pull cable jacket nut, item (4).
 - Step 2. Tighten upper pull cable jacket nut, Item (2), until the desired position is reached. [In its normal position, the upper edge of the spring bracket, item (5), is flush with the upper edge of the vacuum valve guide, item (6).]
 - Step 3. Retighten lower cable jacket nut, item (4).
6. To MOVE THE VACUUM VALVE, item (8), DOWN:
 - Step 1. Loosen the upper cable jacket nut, item (2), until the vacuum valve, item (8), reaches the desired position.
 - Step 2. Tighten the lower cable jacket nut, item (4).

BRUSH MOTOR REVERSING SWITCHES ADJUSTMENT _____

1. Drain the solution tank, and remove the recovery pail from the machine.
2. Make sure the power cord is unplugged from the power receptacle.
3. Shift the direction control lever arm to the up (backward) position.
4. Adjust the pull cable, if required, to insure that the vacuum valve is in the correct position. (See vacuum valve pull cable adjustment procedure.)
5. **Make the adjustment:**
 - Step 1. Slightly loosen the two switch nuts, item (7), located on the switch bracket, item (9).
 - Step 2. Rotate the three switches by pushing their bodies, item (11), toward the timing bar plate, item (27), until the switch actuating arm rollers, item (10), touch the timing bar plate, Item (27).
 - Step 3. While holding the switches, item (11), in position, retighten the two switch nuts, item (7).



ADJUSTMENT INSTRUCTIONS



PARTS LIST

**POLARIS 800 & 1200
SUPERNOVA 800 & 1200**

PARTS LIST

POLARIS 800 & 1200
SUPERNOVA 800 & 1200

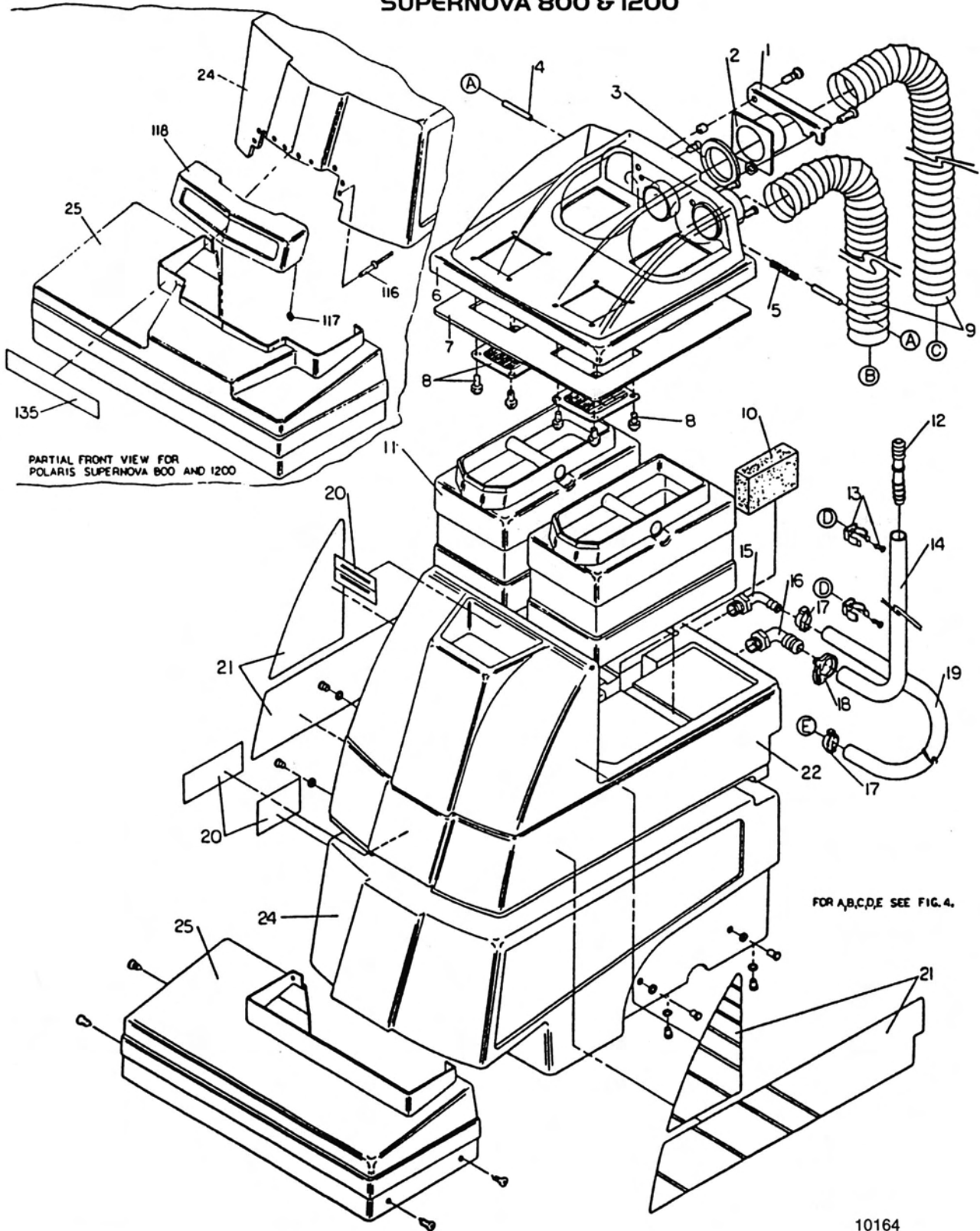
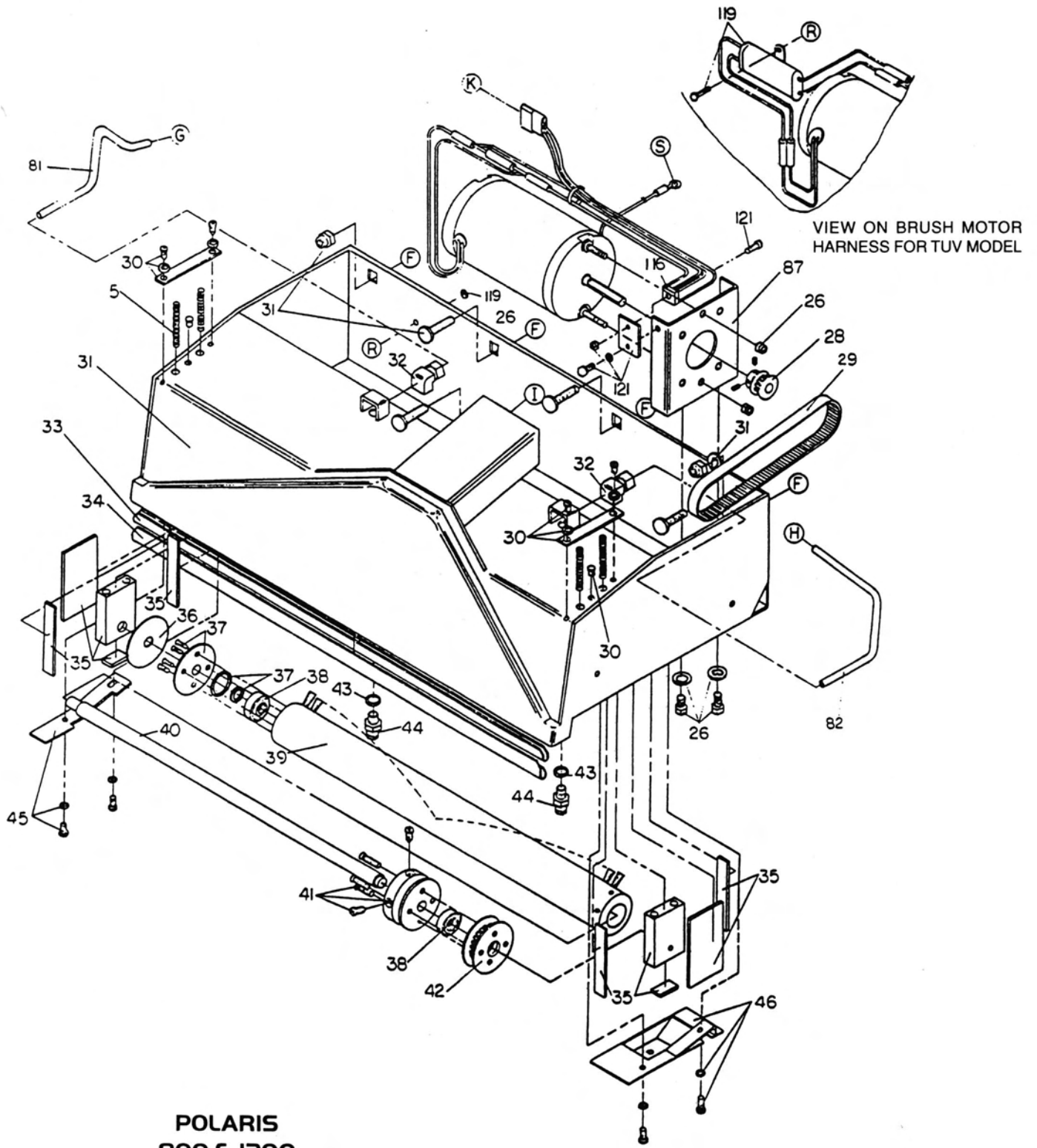


FIGURE 1



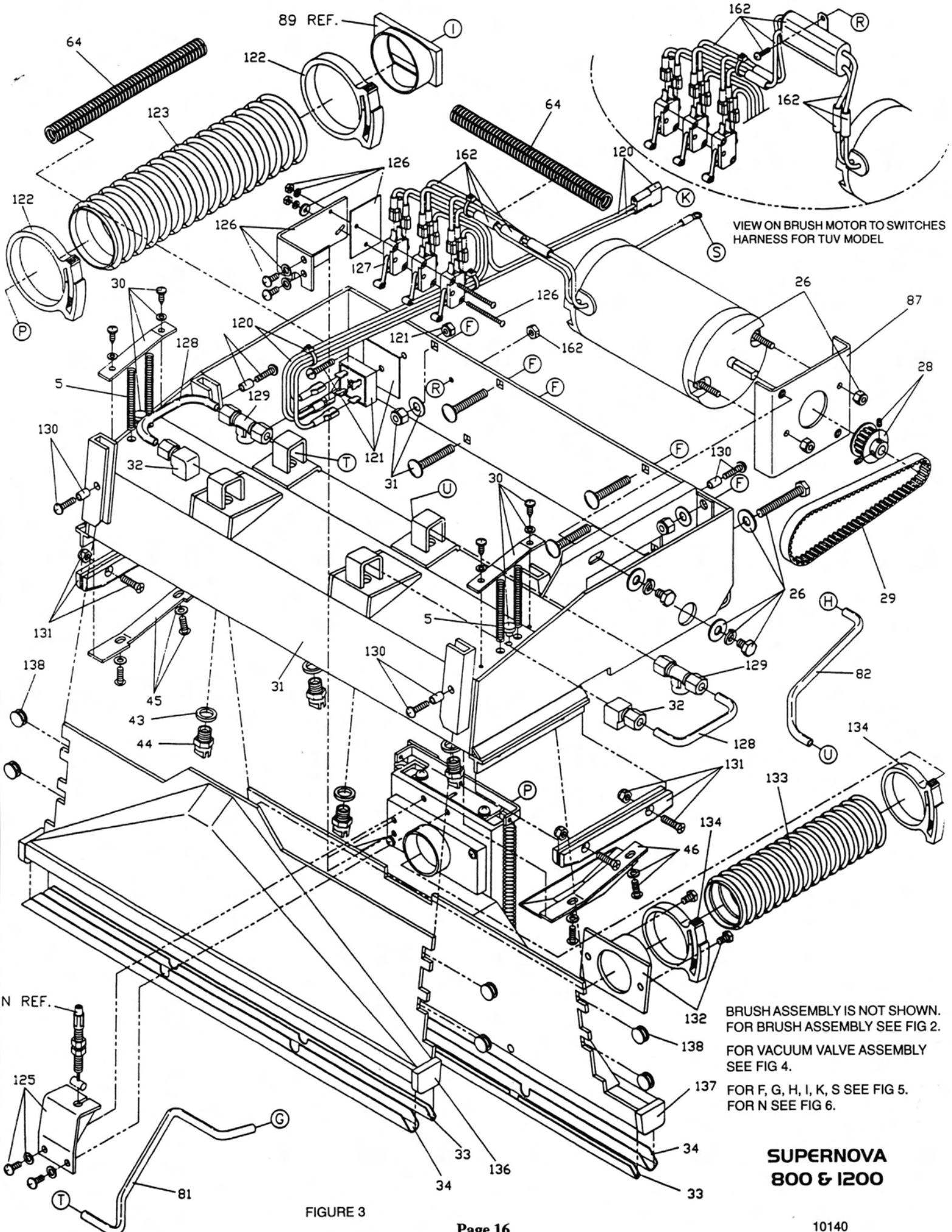
VIEW ON BRUSH MOTOR HARNESS FOR TUV MODEL

**POLARIS
800 & 1200**

FOR F, G, H, K, S, SEE FIG 5

1063

FIGURE 2



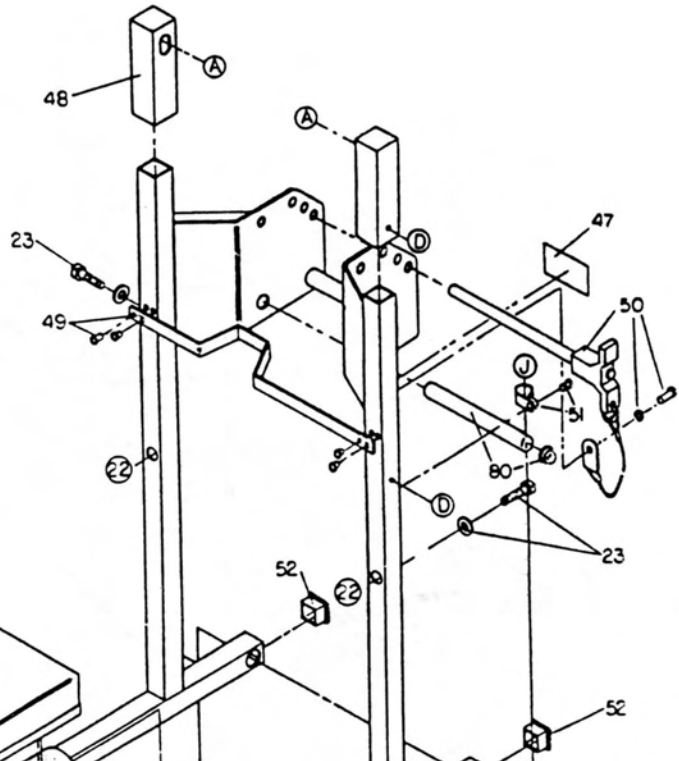
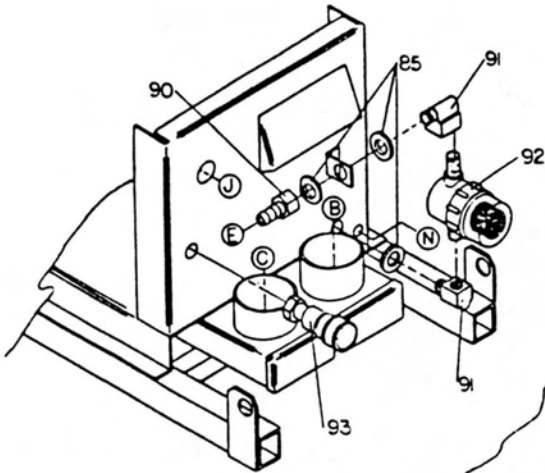
VIEW ON BRUSH MOTOR TO SWITCHES HARNESS FOR TUV MODEL

BRUSH ASSEMBLY IS NOT SHOWN.
FOR BRUSH ASSEMBLY SEE FIG 2.
FOR VACUUM VALVE ASSEMBLY
SEE FIG 4.
FOR F, G, H, I, K, S SEE FIG 5.
FOR N SEE FIG 6.

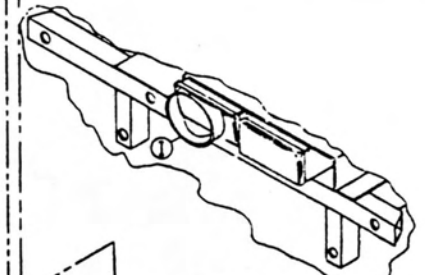
**SUPERNOVA
800 & 1200**

FIGURE 3

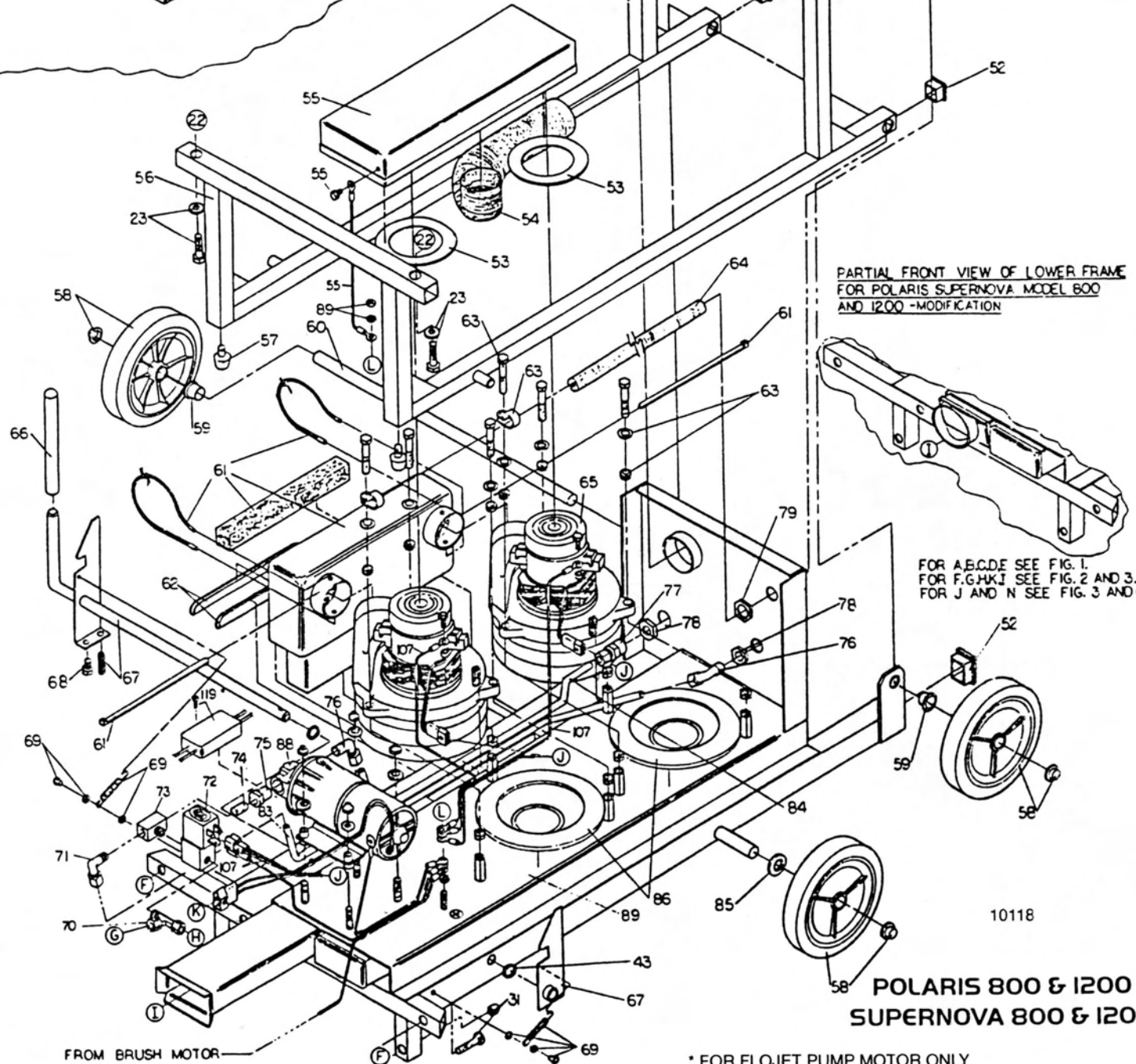
BACK VIEW OF MACHINE



PARTIAL FRONT VIEW OF LOWER FRAME FOR POLARIS SUPERNOVA MODEL 600 AND 1200 -MODIFICATION



FOR A,B,C,D,E SEE FIG. 1.
FOR F,G,H,K,I SEE FIG. 2 AND 3.
FOR J AND N SEE FIG. 3 AND E.

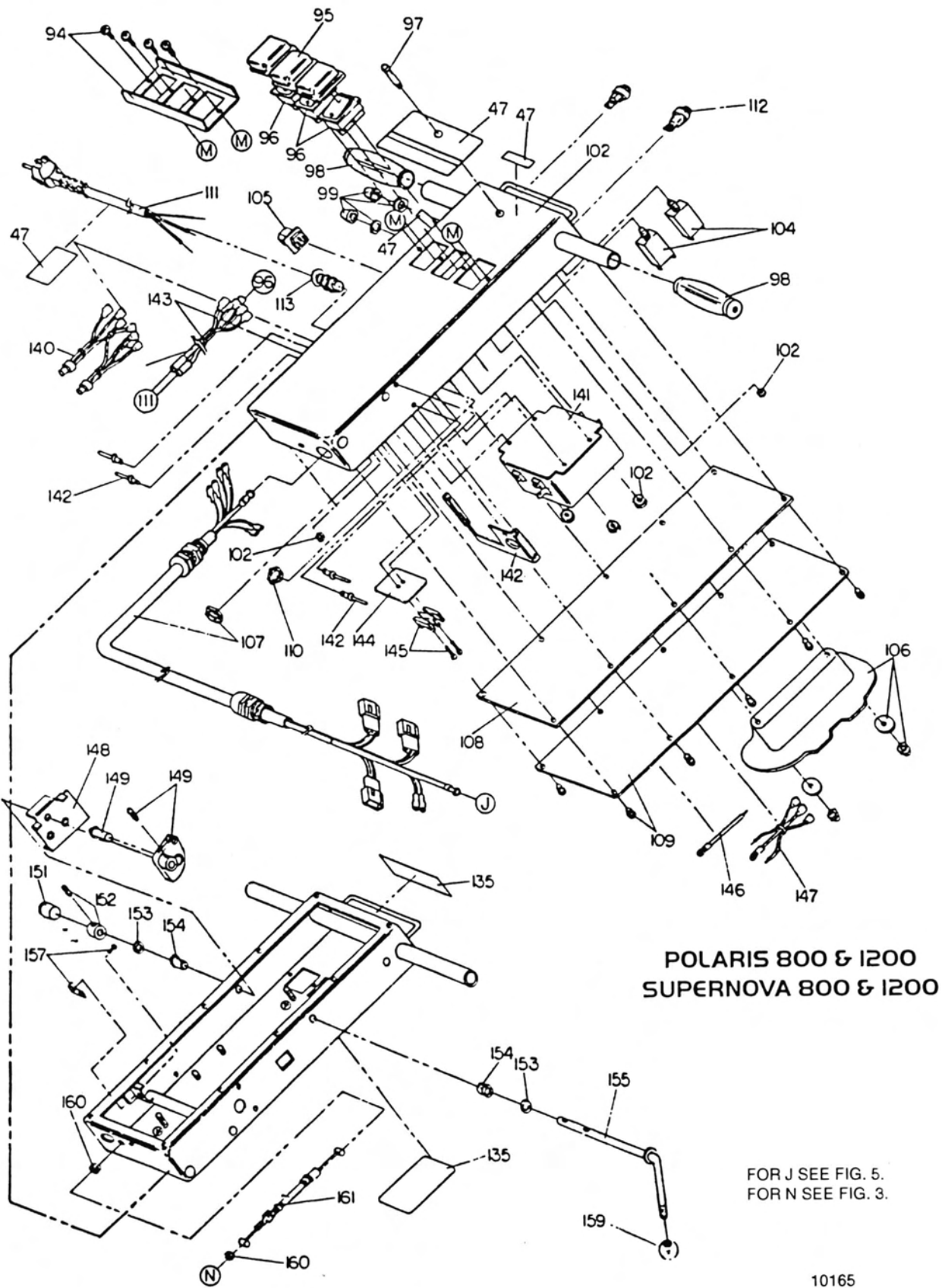


FROM BRUSH MOTOR

10118

POLARIS 800 & 1200 SUPERNOVA 800 & 1200

* FOR FLOJET PUMP MOTOR ONLY
FIGURE 5



10165

FIGURE 6

ADDITIONAL PARTS FOR SUPERNOVA

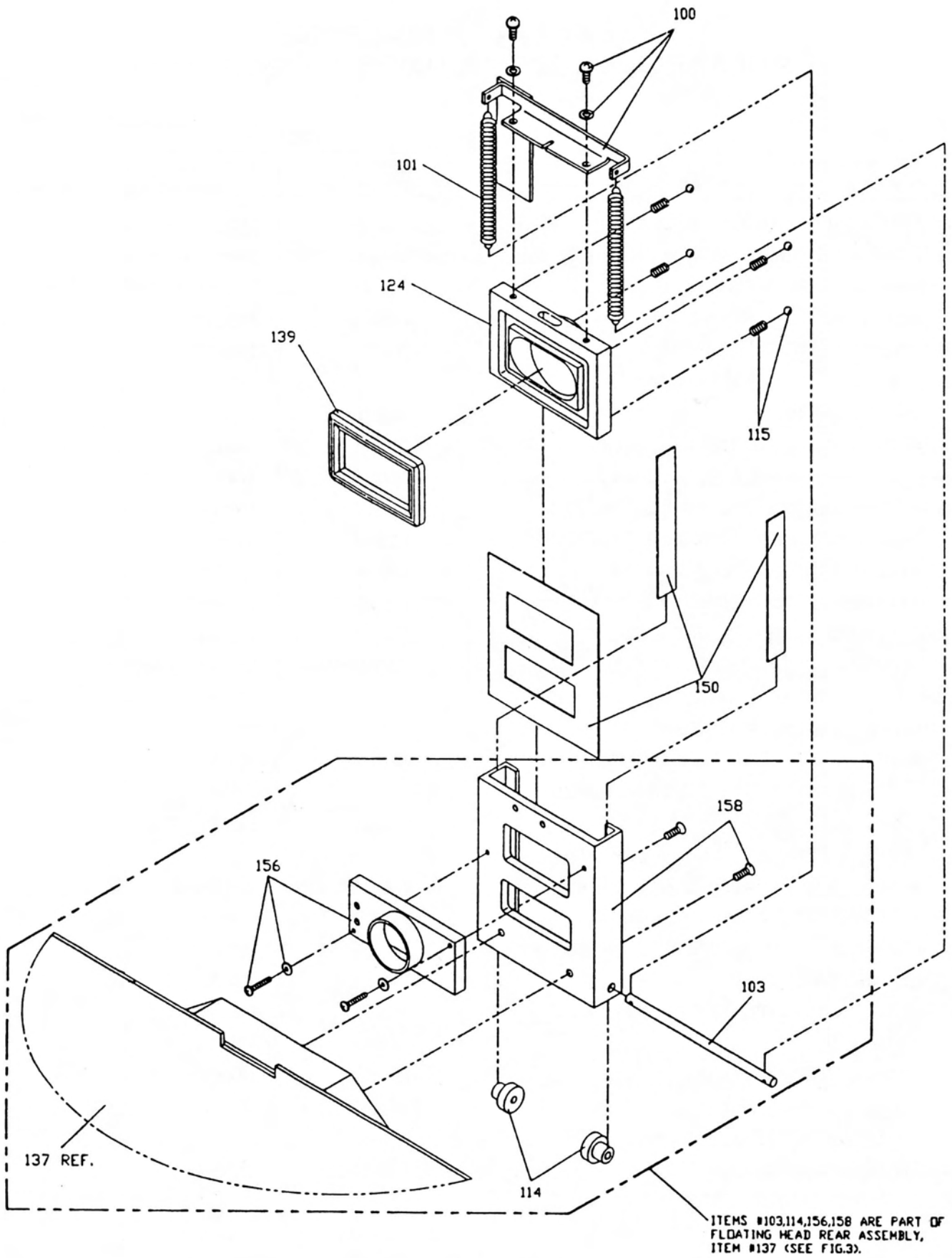


FIGURE 4

**SUPERNOVA
800 & 1200**

10139

PARTS LIST

POLARIS AND SUPERNOVA 800 & 1200 MODELS

Item	Description	Part No.		qty	fig
		Polaris	Supernova		
1	CLIP, ADAPTER RETAINER STEEL	D02391	D02391	1	1
2	HOSE, ADAPTOR ALUMINUM	D02359	D02359	1	1
3	SEAL, VACUUM INTAKE NEOPRENE	E02431	E02431	1	1
4	SHAFT, LID PIVOT	D02373	D02373	2	1
5	SPRING, STEEL, DOME PIVOT	D02372	D02372	1	1
	SPRING, STEEL, SLIDE BLOCK	D02372	D03375	4	2 & 3
6	DOME ASSEMBLY	80491A	80491A	1	1
7	GASKET, DOME 1/2" THK NEOPRENE	E02428	E02428	1	1
8	SCREEN VACUUM INTERNAL PORT ASSY, DOME	82474A	82474A	2	1
9	HOSE, VACUUM 2" ID (POLARIS 800) 6 FT	J00618	J00618	1	1
	HOSE, VACUUM 2" ID (POLARIS 1200) 7 FT	J00618	J00618	1	1
10	PLUG, SOLUTION TANK NEOPRENE	L00795	L00795	1	1
11	RECOVERY PAILS (POLARIS 800)	F02465-2	F02465-2	2	1
	RECOVERY PAILS (POLARIS 1200)	F02465-3	F02465-3	3	1
12	DRAIN NOZZLE, COUPLING PLASTIC 1/2" BARB x 1/2" BARB	A00165	A00165	1	1
13	CLIP ASSEMBLY, DRAIN HOSE	80263-3A	80263-3A	1	1
14	HOSE, DRAIN, CLEAR VINYL 5/8" OD 1/8" WALL x 13" LG (POLARIS 800)	J00598	J00598	1	1
	HOSE, DRAIN, CLEAR VINYL 5/8" OD x 1/8" WALL x 24" LG (POLARIS 1200)	J00598	J00598	1	1
15	90 ELBOW, 1/2" MP x 3/8" BARB NYLON	A00138	A00138	1	1
16	90 ELBOW, 1/2" MP x 5/8" BARB NYLON	A00099	A00099	2	1
17	CLAMP, HOSE, 5/8" OETIKER	J00637	J00637	1	1
18	CLAMP, HOSE NYLON	J00652	J00652	1	1
19	HOSE, BRAIDED, PLASTIC 3/8" ID x 15" LG	J00595	J00595	1	1
20	LABEL KIT	82570A	82570A	1	1
21	DECAL KIT POLARIS 800	H00575	H00575	1	1
	DECAL KIT POLARIS 1200	H00576	H--576	1	1
22	SOLUTION TANK (POLARIS 800)	F02463-7	F02463-7	1	1
	SOLUTION TANK (POLARIS 1200)	F02463-3	F02463-3	1	1
23	SOLUTION TANK MOUNTING KIT	82310A	82310A	1	5
24	HOUSING, MOTOR, PLASTIC	F02470-1	F02470-5	1	1
25	COVER, BRUSH CHAMBER	F02488	F02488-1	1	1
26	BRUSH DRIVE MOTOR ASSEMBLY (115VAC)	82538A	82524A	1	2 & 3
	BRUSH DRIVE MOTOR ASSEMBLY (220VAC)	82538-1A	82523A	1	2 & 3
27	WIRE ASSEMBLY, GROUND	00185-6A	00185-6A	1	2 & 3

PARTS LIST

POLARIS AND SUPERNOVA 800 & 1200 MODELS

Item	Description	Part No.		qty	fig
		Polaris	Supernova		
28	PULLEY, BRUSH DRIVE MOTOR	D00398-1	D00398-6	1	2 & 3
29	BELT, TIMING	L00779-1	L00779	1	2 & 3
30	COVER PLATE ASSEMBLY, SPRING	82378A	83355A	1	2 & 3
31	BRUSH CHAMBER ASSEMBLY	82362A	83368A	1	2 & 3
32	90 ELBOW, BRASS 1/8" FP x 1/4" C TUBE FITTING	A00144	A00144	2	2 & 3
33	GLIDE, BACK END, SS	D02366	D03360	1 (2)	2 & 3
34	GLIDE, FRONT END, SS	D02365	D03358	1 (2)	2 & 3
35	SLIDE BLOCK ASSEMBLY	80500A	80500A	2	2
36	WASHER, SLIDE BLOCK NYLON 1/16" THK x 24/64" ID x 2" OD	F00504	F00504	1	2
37	STRING GUARD ASSEMBLY	82235A	82235A	1	2
38	BEARING, BRUSH	G00536	G00536	2	2
39	BRUSH	F00505	F02477	1	2
40	SHAFT, BRUSH STEEL, 1/2" OD x 18" LG	D02371	D02371	1	2
41	SLINGER ASSEMBLY, ROTARY BRUSH	82376A	82376A	1	2
42	PULLEY, ROTARY BRUSH ALUMINUM	D00398-2	D00398-2	1	2
43	WASHER, NYLON 3/32" THK x 7/16" ID x 5/8" OD	C02298	C02298	4	2 & 3
44	SPRAY TIP, BRASS 1/8" NPT	A00091-2	A00089	2 (4)	2 & 3
45	COVER PLATE ASSEMBLY, OPEN-END	82368A	83352A	1	2 & 3
46	COVER PLATE ASSEMBLY, PULLEY END	82367A	83353A	1	2 & 3
47	LABEL KIT, ENGLISH		83548A	1	1,5 & 6
	LABEL KIT, GERMAN		83550A	1	1,5 & 6
48	PIVOT, LID FRAME EXTENSION, STEEL 1" SQUARE TUBE (POLARIS 800)	D02344-1	D02344-1	2	5
	PIVOT, LID FRAME EXTENSION, STEEL 1" SQUARE TUBE (POLARIS 1200)	D02344	002344	2	5
49	BRACKET ASSEMBLY, HOSE GUIDE	82361A	82361A	1	5
50	PIN ASSEMBLY, RETAINING	82383A	82383A	1	5
51	CLAMP ASSEMBLY, CORD	80187A	80187A	1	5
52	CAP, END, 7/8" SQUARE BLK	K00712-4	K00712-4	4	5
53	GASKET, COOLING AIR DUCT	E02450	E02450	2	5
54	HOSE, EXHAUST, 1" ID x 7" LG	J00654	J00654	1	5
55	DUCT, COOLING AIR, STEEL (250 VAC)	D02343	D02343	1	5
56	FRAME UPPER, STEEL	D02342-1	D02342-1	1	5
57	FOOT, RUBBER	K00705	K00705	2	5
58	WHEEL ASSEMBLY	82514A	82514A	1	5
59	BUSHING, NYLINER, 1/2" ID	K00674	K00674	2	5

PARTS LIST

POLARIS AND SUPERNOVA 800 & 1200 MODELS

Item	Description	Part No.		qty	fig
		Polaris	Supernova		
60	AXLE, WHEEL, STEEL, 1/2" OD	D00418-14	D00418-14	1	5
61	MUFFLER ASSEMBLY	80790A	80790A	1	5
62	CLIPS, MUFFLER, STEEL	D02380	D02380	2	5
63	VACUUM MOTOR MOUNTING KIT ASSEMBLY	82291A	82291A	1	5
64	LOOM, CORRUGATED, 26" LG	F00463	F00463	1	5
65	VACUUM MOTOR, 2 STAGE, 5.7" DIA, 115 VAC W/ MOLEX CONNECTOR	00537A	00537A	2	4
	VACUUM MOTOR, 2 STAGE, 5.7" DIA, 240 VAC W/ MOLEX CONNECTOR	02521A	02521A	2	5
66	CAP, LATCH HANDLE	K00725	K00725	1	5
67	LATCH HANDLE ASSEMBLY	82355A	82355A	1	5
68	CAPSCREW, MACHINE STEEL HEX HEAD, 1/4-20 x 1-1/4" LG	C02310	C02310	1	5
69	LATCH HANDLE SPRING ASSEMBLY	82357A	82357A	1	5
70	TEE, MALE BRANCH, BRASS 1/8" MP x 1/4" C TUBE FITTING	A00143	A00153	1	5
71	90 ELBOW, BRASS 1/8" MP x 1/4" C TUBE FITTING	A00132	A00132	1	5
72	SOLENOID, 1/8" NPT (115 VAC)	G02536	G02536	1	5
	SOLENOID, 1/8" NPT (250 VAC)	G02537	G02537	1	5
73	TEE, STREET, BRASS, 1/8" NPT	A00135	A00152	1	5
74	NIPPLE, SHORT BRASS, 1/8" NPT	A00055	A00055	1	5
75	BUSHING, REDUCER, BRASS, 3/8" NPT (50PSI)	A00168-1	A00168-1	1	5
	BUSHING, REDUCER, BRASS, 1/4" NPG (100PSI)	A00168-18	A00168-18	1	5
76	90 ELBOW, BRASS, 3/8" MP x 1/4" C TUBE FITTING (50PSI)	A00133	A00133	1	5
	90 ELBOW, BRASS, 1/4" MP x 1/4" C TUBE FITTING (100PSI)	A00140	A00140	2	5
77	TUBE FITTING, BRASS, 1/4" FP x 1/4" C TUBE FITTING	A00145	A00145	1	5
78	NUT, HEX, BRASS, 1/4" PIPE	A00124	A00124	2	5
79	NUT, PIPE, PLASTIC	B02214	B02214	2	5
80	SHAFT ASSY, HANDLE	80418-6A	80418-6A	1	5
81	TUBING, COPPER, 1/4" OD, LEFT TIPS	A00085-5	A00085-13	1	2 & 3
82	TUBING, COPPER, 1/4" OD, RIGHT TIPS	A00085-4	A00085-14	1	2 & 3
83	TUBING, COPPER, 1/4" OD x 25 7/8" LG	A00085-7	A00085-16	1	4
84	TUBING, COPPER, 1/4" OD x 16 9/16" LG	A00085-6	A00085-6	1	4
85	SPACER, NYLON, 3/16" THK x 1/2" ID x 1" OD	C00240	C00240	5	4

PARTS LIST

POLARIS AND SUPERNOVA 800 & 1200 MODELS

Item	Description	Part No.		qty	fig
		Polaris	Supernova		
86	GASKET, VACUUM MOTOR, NEOPRENE	E02448	E02448	2	4
87	BRACKET, BRUSH MOTOR	D02370	D03365	1	2 & 3
88	PUMP MOTOR, INTERNAL BYPASS 115VAC, W/ MOLEX CONNECTOR (50PSI)	00512A	00512A	1	5
	PUMP MOTOR, INTERNAL BYPASS 240FAC, W/ MOLEX CONNECTOR (50PSI)	025141A	025141A	1	5
88	PUMP MOTOR, INTERNAL BYPASS 115VAC, W/ MOLEX CONNECTOR (100PSI)	02513F-100A	02513F-110A	1	5
	PUMP MOTOR, INTERNAL BYPASS 1240VAC, W/ MOLEX CONNECTOR (100PSI)	02514F-100A	02514F-110A	1	5
89	FRAME ASSEMBLY, LOWER	02341A	03370A	1	5
90	BARB, 3/8" x 1/4" FP, BRASS	A00061	A00061	1	5
91	90 ELBOW, BRASS, 1/4" F x 1/4" M	A00052	A00052	2	5
92	FILTER STRAINER, IN-LIE	K00709	K00709	1	5
93	QUICK DISCONNECT, BRASS, 1/4" F x 1/4" FP	A00102	A00102	1	5
94	SWITCH GUARD ASSEMBLY	82414A	82414A	1	6
95	COVER, ROCKER SWITCH	B00214-2	B00214-2	3	6
96	SWITCH, LIGHTED ON-OFF ROCKER	B02211-1	B02211-1	3	6
97	LIGHT, INDICATOR	B021916	B02196	1	6
98	GRIP, HANDLE BLK, VINYL	K00715B-1	K00715B-1	2	6
99	BOOT, FLEX, CIRCUIT BREAKER (115V - 1 REQ, 250V - 2 REQ)	B02193	B02193		6
100	SPRING BRACKET, VACUUM VALVE, ASSEMBLY		83349A	1	4
101	SPRING, VACUUM VALVE SLIDE RETURN KIT		010666A	1	4
102	HANDLE, ADJUSTABLE, STEEL	D02403	D02338-2	1	6
103	SHAFT, VACUUM VALVE		D03356	1	4
104	CIRCUIT BREAKER, 3 AMP (115VAC)	B02192		1	6
	CIRCUIT BREAKER, 4 AMP (115VAC)		B02192-1	1	6
	CIRCUIT BREAKER, 1.5 AMP (250FAC)	B02191	B02191	1	6
105	OUTLET ASSEMBLY, ACCESSORY, (115VAC OPTIONAL)	80188A	80188A	1	6
	OUTLET ASSEMBLY, ACCESSORY, (250VAC OPTIONAL)	80198A	80198A	1	6
106	CORD WRAP, ASSEMBLY	82408A	82408A	1	6
107	CORD ASSY, ACC HANDLE TO LOWER FRAME (115VAC)	00185-32A	00185-32A	1	6
	CORD ASSY, ACC HANDLE TO LOWER FRAME (250FAC)	00185-33A	00185-33A	1	6
108	GASKET, HANDLE	E03432	E03432	1	6
109	COVER PLATE ASSEMBLY	82409A	82409A	1	6
110	LOCK NUT, HEX, BRASS, 3/8"-18 NPT (115VAC)	B00201	B00201	1	6

PARTS LIST

POLARIS AND SUPERNOVA 800 & 1200 MODELS

Item	Description	Part No.		qty	fig
		Polaris	Supernova		
	LOCK NUT (250VAC)	B02214	B02214	1	6
111	CORD, POWER (115VAC)	B00221-2	B00221-2	1	6
	CORD, POWER (250VAC)	B00225	B00225	1	6
112	SWITCH, 10 AMP, 250FAC		B02173	1 (2)	6
113	STRAIN RELIEF, POWER CORD (115VAC)	B02213	B02213	1	6
	STRAIN RELIEF, POWER CORD (250VAC)	B02215	B02215	1	6
114	BUMPER, VACUUM VALVE		E03435	2	4
115	SPRINGS AND BALLS KIT		83372A	1	4
116	MANDREL, BLIND RIVET, 1/8" DIA x 1/4" DIA x 390"		C00300-46	10	1
117	WASHER, STEEL, BLIND RIVET, 1/8" DIA x 3/8" DIA x 1/16"		C00304	10	1
118	COVER		F02498	1	1
119	RFI FILTER ASSEMBLY, 2 AMP, 250VAC		B02175	1	5
120	HARNESS, RECTIFIER (115VAC)	00185-29A	00185-41A	1	2 & 3
	HARNESS, RECTIFIER (250VAC)	00185-37A	00185-31A	1	2 & 3
121	RECTIFIER, FISH PAPER ASSEMBLY	82171A	82202A	1	2 & 3
122	CLAMP, 2-1/8" x 2-3/8", NYLON		J00657	2	3
123	HOSE, AIR VALVE ASSEMBLY, 2"		J00621	1	3
124	SLIDE, VACUUM VALVE, ASSEMBLY		D03364	1	4
125	FRONT BRACKET, PULL CABLE ASSEMBLY		83348A	1	3
126	SWITCH, BRACKET ASSEMBLY		82172A	1	3
127	SWITCH, MOTOR REVERSE		B02172	3	3
128	TUBING, TIP CONNECTOR		A00085-15	2	3
129	TEE, FEMALE BRANCH		A00156	2	3
130	FLOATING HEAD RETAINING PIN, ASSEMBLY		83374A	1	3
131	GLIDE, SIDE		80465A	2	3
132	ADAPTER, FRONT HEAD		83361A	1	3
133	HOSE, FRONT HEAD, ASSEMBLY, 1-1/2"		J00618-1	1	3
134	CLAMP, 1-1/4" x 1-7/16", NYLON		J00656	2	3
135	LABEL KIT, ENGLISH (SUPERNOVA)			1	1 & 6
	LABEL KIT, GERMAN (SUPERNOVA)			1	1 & 6
136	FLOATING HEAD, FRONT		83366A	1	3
137	FLOATING HEAD, REAR, ASSEMBLY		83367A	1	3
138	BUTTON, GLIDE		F00464	8	3
139	SEAL, SLIDE BLOCK		E03434	1	4
140	WIRE CONNECTOR, ASSY, HANDLE, JUMPER (115VAC)		00185-37A	1	6
	WIRE CONNECTOR, ASSY, HANDLE, JUMPER (250VAC)		00185-38A	1	6

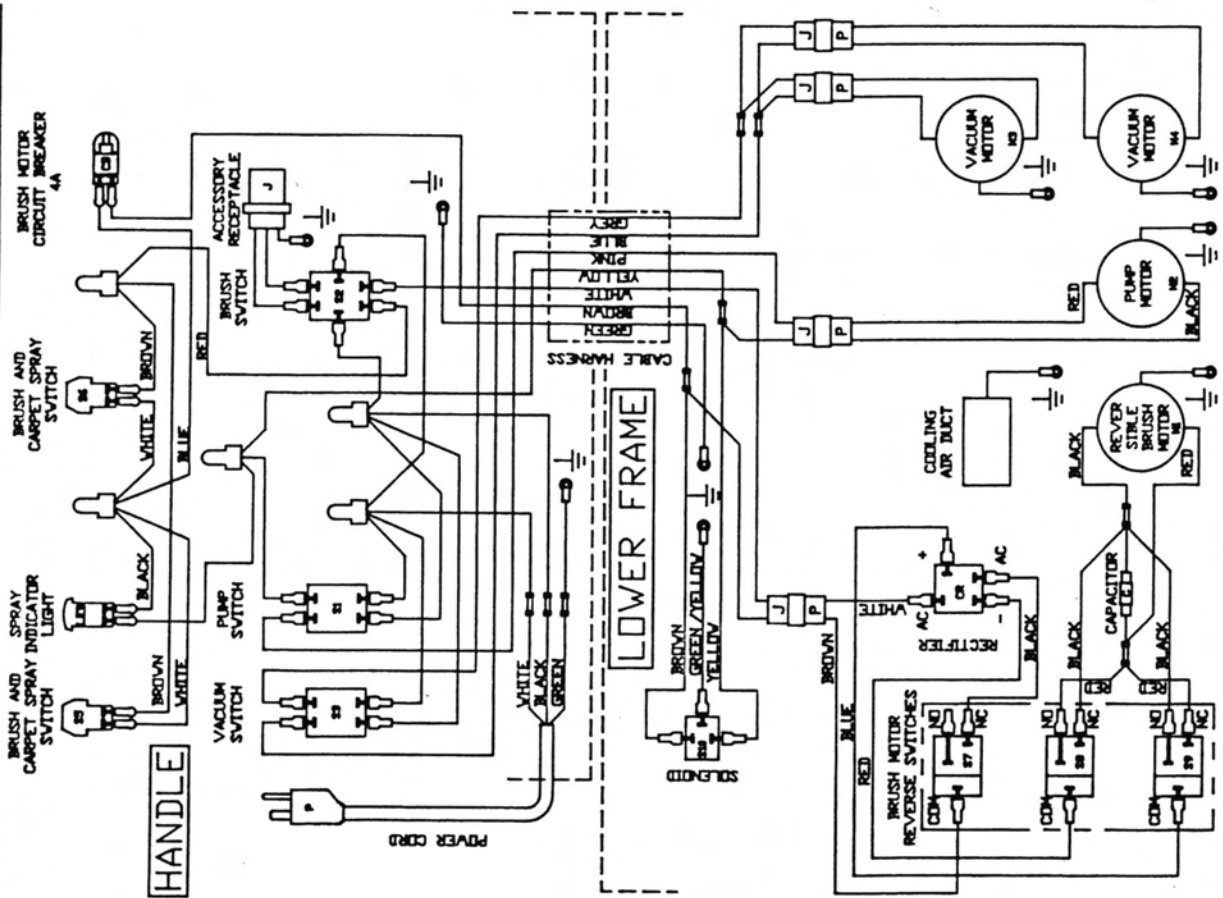
PARTS LIST

POLARIS AND SUPERNOVA 800 & 1200 MODELS

Item	Description	Part No.		qty	fig
		Polaris	Supernova		
141	FILTER, RFI, 16 AMP, ASSEMBLY (250VAC)		B02174	1	6
142	SHIELD PLATE, RFI, ASSEMBLY		D03371	1	6
143	HARNESS, RFI FILTER TO SWITCHES (250VAC)		00185-35A	1	6
	HARNESS, POWER CORD TO SWITCHES (250VAC)		00185-30A	1	6
144	INSULATOR, TERMINAL BLOCK (250VAC)		B02195	1	6
145	TERMINAL BLOCK (250VAC)		B02190	1	6
146	WIRE CONNECTORS, TERM BLOCK TO GRND POST, ASSY (250VAC)		00185-39A	1	6
147	HARNESS, TERM BLOCK TO RFI FILTER (250VAC)		00185-36A	1	6
148	STOP BRACKET		D03350	1	6
149	CAM WITH PLUNGER, PULL CABLE		83346A	1	6
150	GASKET, VACUUM VALVE GUIDE		80459A	1	4
151	CAP, PROTECTIVE		K02716	1	6
152	COLLAR, SHAFT, 3/8" ID		C02277	1	6
153	WASHER, TEFLON, 3/8" ID		C02287	2	6
154	BUSHING, NYLINER, 3/8" ID		K00678	2	6
155	LEVER ARM		D03347	1	6
156	ADAPTER PLATE, VALVE GUIDE		D03363	1	4
157	CLIP, PULL CABLE, ASSEMBLY		83357A	1	6
158	GUIDE, VACUUM VALVE, ASSEMBLY		D03345	1	4
159	KNOB, BALL, 1 3/8"		K02712	1	6
160	GROMMET		E00449	2	6
161	CABLE		D03369	1	3 & 6
162	HARNESS, SWITCHES		00185-42A	1	3
163	RECTIFIER	M00843	B02229	1	2 & 3

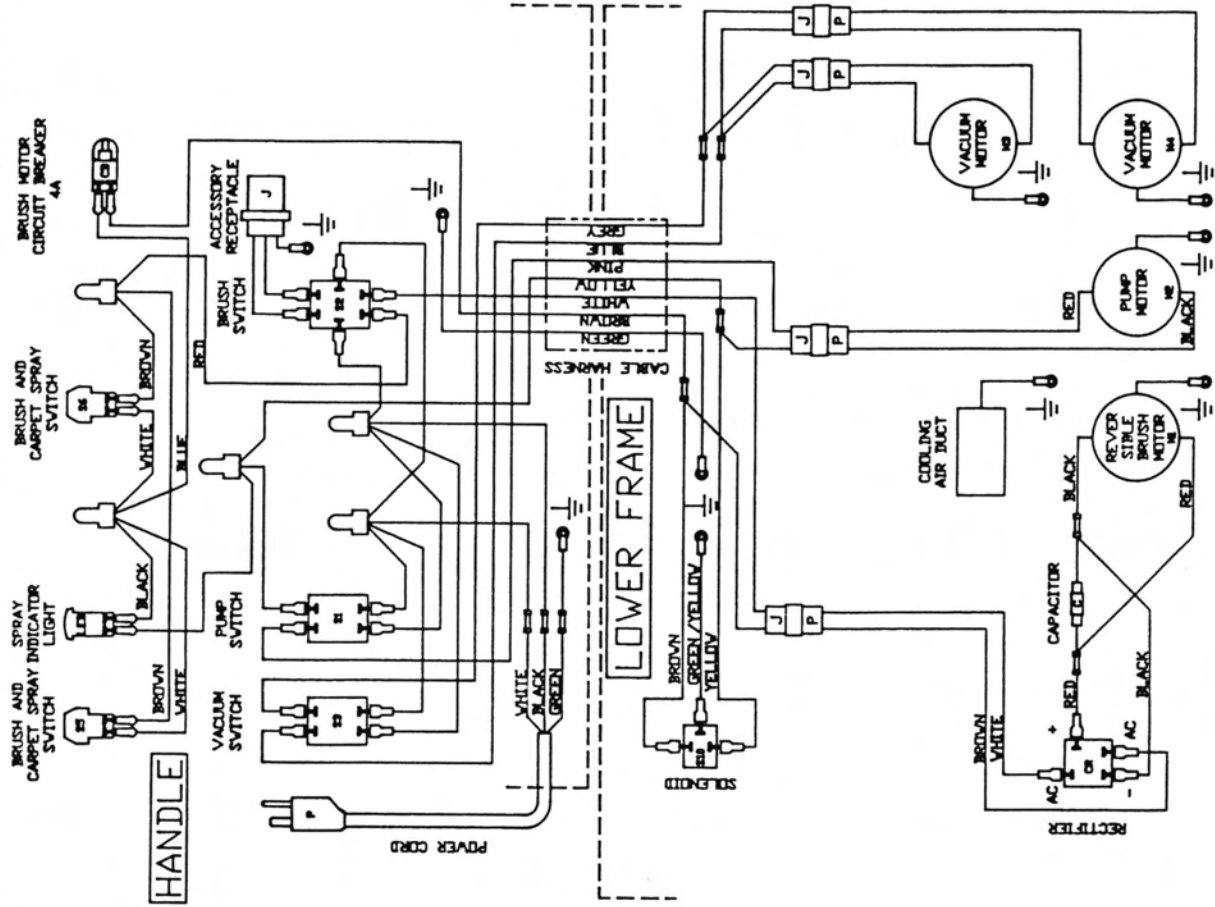
**SUPERNOVA
MODEL 800 AND 1200**

115 V AC, 60 HZ
WIRING DIAGRAM, NO.10122



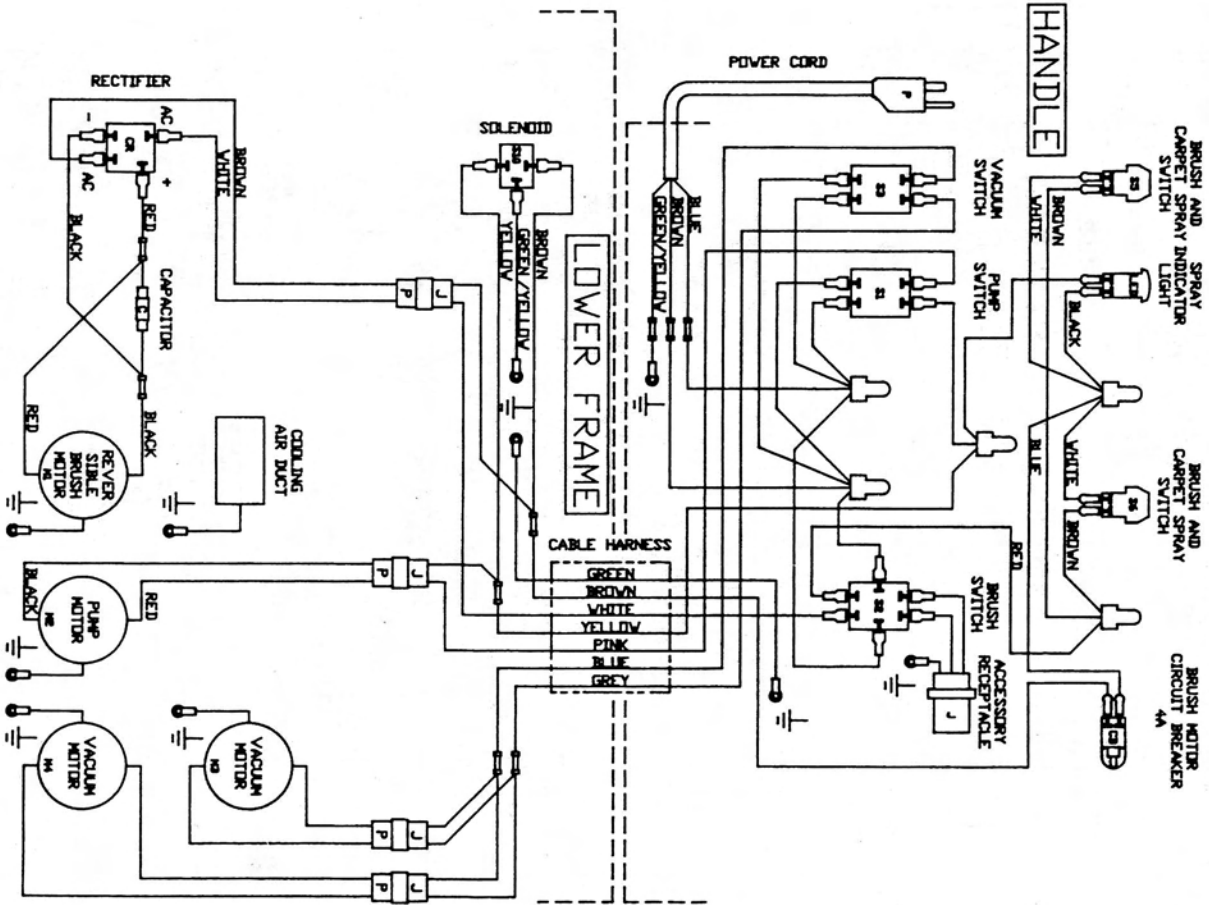
POLARIS MODEL 800 AND 1200

115 V AC, 60 HZ
WIRING DIAGRAM, NO.10124



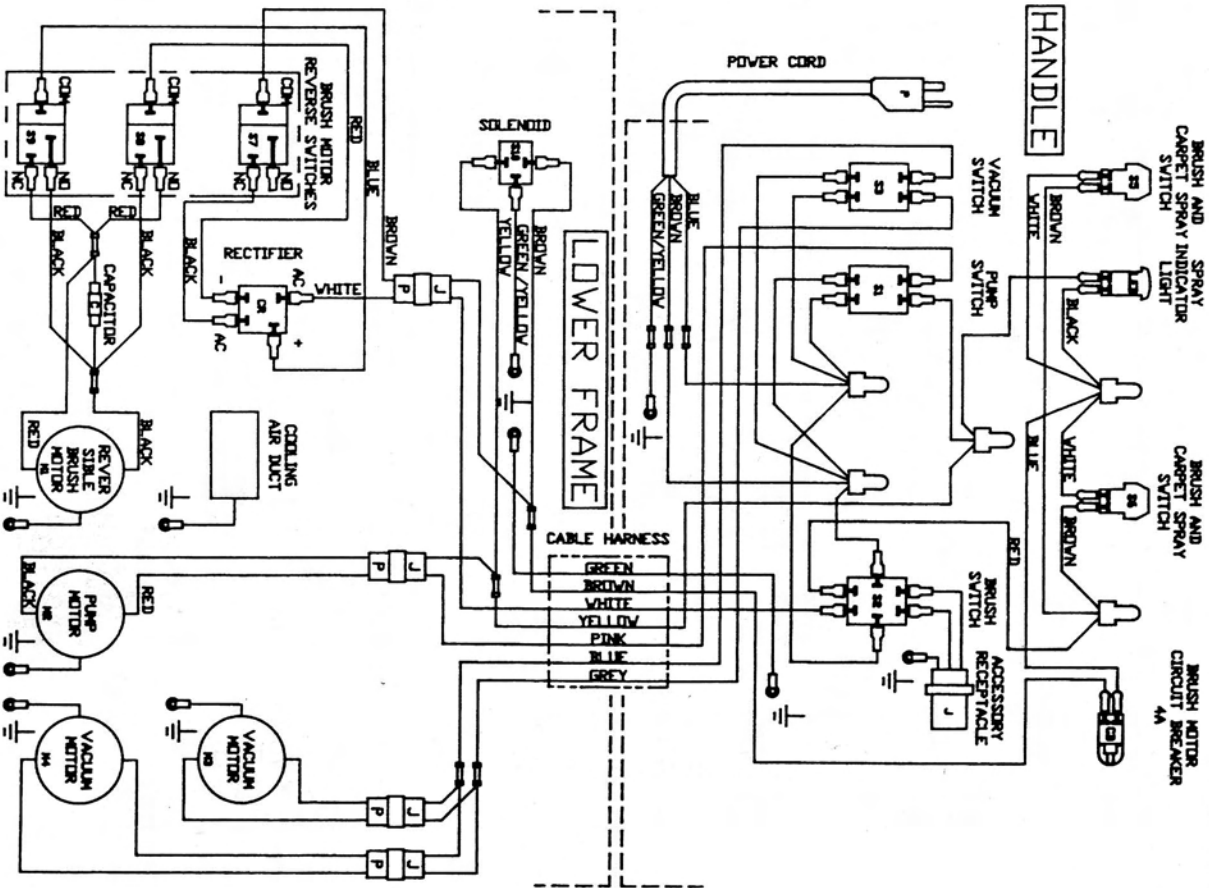
POLARIS MODEL 800 AND 1200

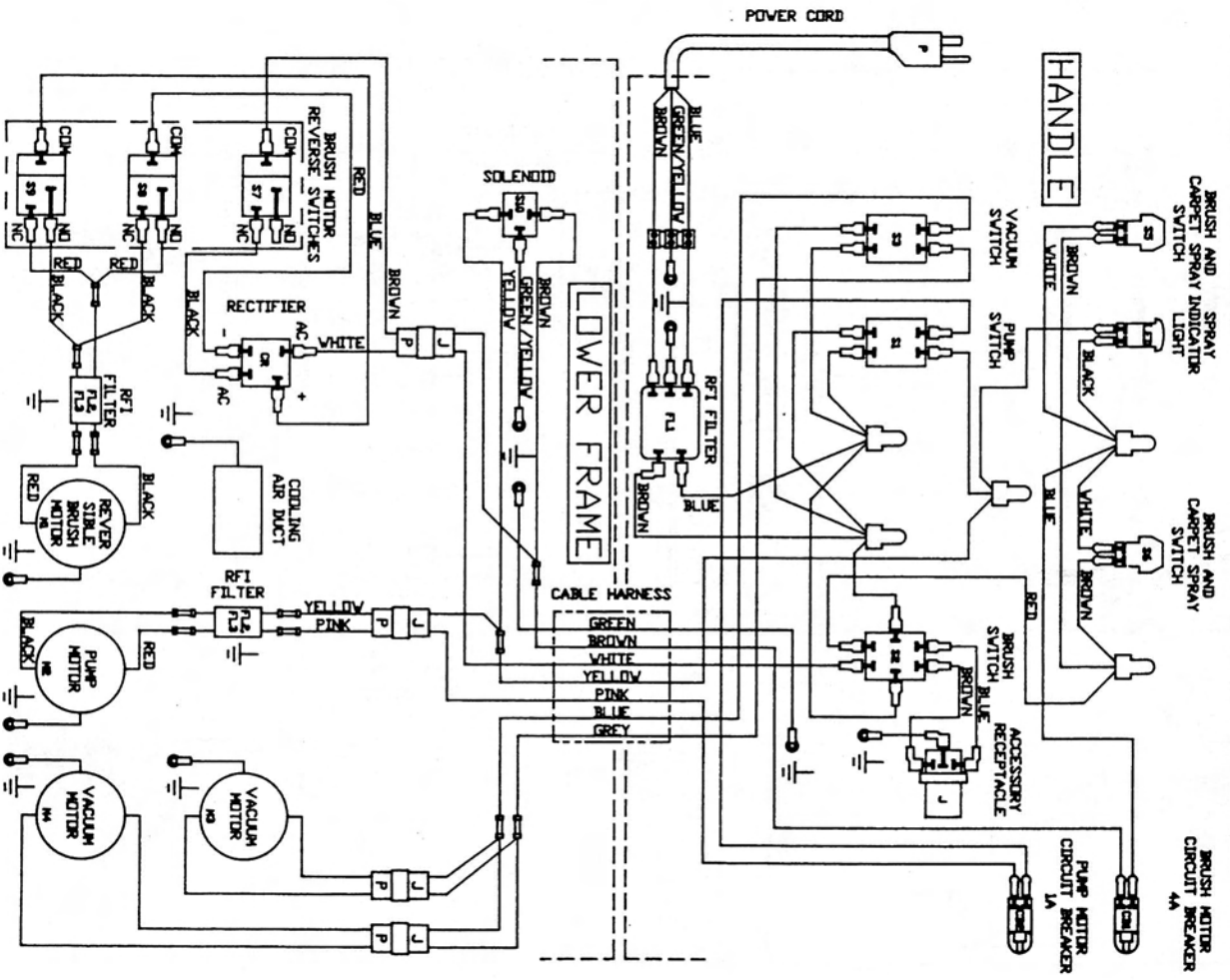
230 V AC, 50/60 HZ
WIRING DIAGRAM, NO.10198



SUPERNOVA
MODEL 800 AND 1200

230 V AC, 50/60 HZ
WIRING DIAGRAM, NO.10197





NOTES



1753 Blake Avenue
Los Angeles, CA 90031-1006
(323) 660-1635
(800) 338-EDIC
FAX (323) 667-0144