

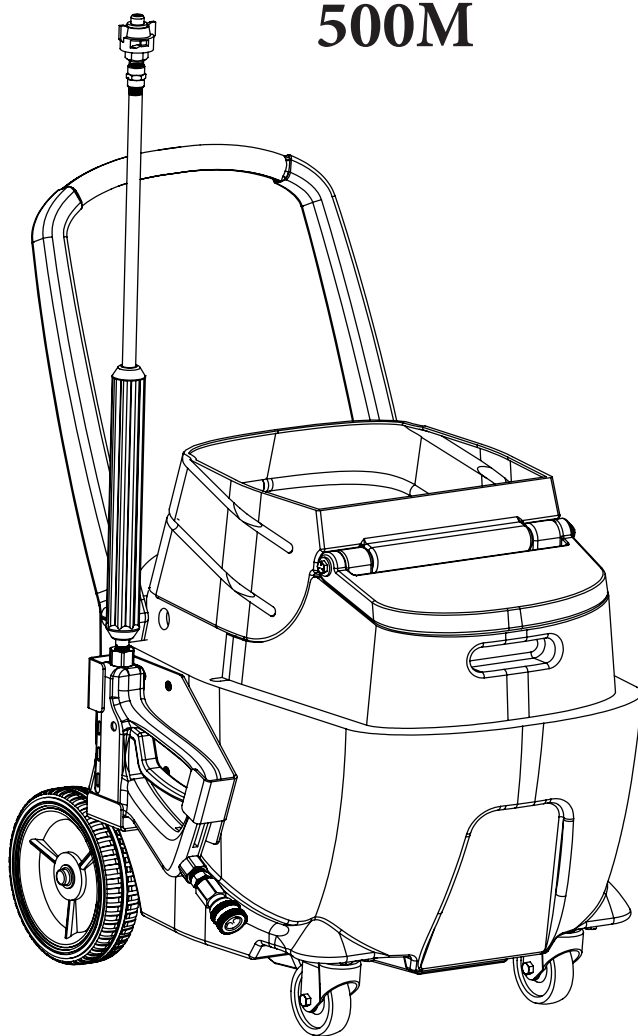
COUNTER STRIKE

PROFESSIONAL DISINFECTING SPRAYER

OWNER'S/OPERATOR'S MANUAL

MODEL:

500M

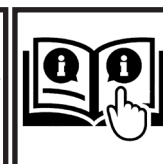


PROUDLY DESIGNED AND MANUFACTURED BY

EDIC

WWW.EDIC-USA.COM

Revised 6-15-20



UNPACKING YOUR NEW 500M: When your package is delivered, check the carton carefully for signs of rough handling. If your 500M is damaged, notify the carrier immediately and request an inspection. Be sure to keep the carton, packing inserts, packing lists and carrier's receipt until the inspector has verified your claim.

EDIC's liability ceases when the carrier picks up the shipment. However, our customer service staff will be happy to furnish any information needed in connection with the claim and will attempt to expedite a resolution.

PLEASE READ BEFORE OPERATING YOUR NEW 500M:

Read the manual carefully and completely before attempting to operate the unit. This manual has important information for the use and safe operation of the machine. Keep this manual handy at all times.

This equipment has been engineered and manufactured to provide excellent performance and service. To ensure that your equipment will continue to perform as intended:

- Maintain equipment regularly- following the suggested maintenance schedule provided.
- Use only original EDIC parts when servicing.
- Operate equipment with care.

If additional information is needed, please contact:

EDIC

800-338-3342

ELECTRICAL - 115 Volt

Model: 500M

This machine is designed to operate on a standard 15 amp, 120 volt, 60 Hz, AC circuit. Voltages below 105 volt AC or above 125 volts AC could cause serious damage to the motor.

GROUNDING INSTRUCTIONS FOR 115VOLT:

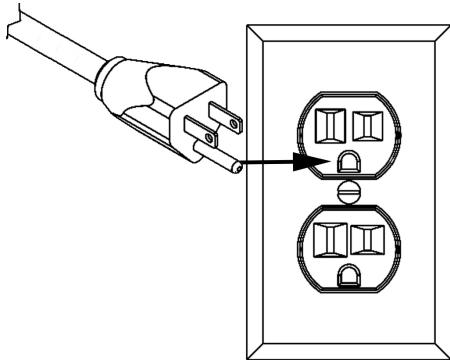
This piece of equipment must be grounded. Should an electrical malfunction occur, grounding provides a path of least resistance for electrical current- reducing the risk of electric shock. This piece of equipment is furnished with a cord that has a grounding conductor and grounding plug. The grounded plug must only be plugged into an appropriate outlet that is properly installed and grounded in accordance with all local codes and ordinances.

WARNING:

Connecting the equipment to an improperly grounded outlet can result in an increased risk of electric shock. A qualified electrician should be consulted if you are unsure that the outlet is properly grounded. Do not modify the plug provided with the equipment. If it will not fit the outlet, have a proper outlet installed by a qualified electrician.

This appliance is designed for use on a 120-volt circuit. The grounding plug provided looks like the plug illustrated in Figure 1. Replace the power cord if the grounding pin is damaged or broken.

Extension cords connected to this machine should be 14 gauge, three-wire cords with three-prong plugs and outlets. DO NOT use extension cords more than 25 feet (7.6 m) long.



NOTICE RE OWNER'S MANUAL



- Prior to use, read and understand the Owner's Manual completely. It is the owner's responsibility to ensure that each operator of the 500M ("equipment") has read and understands the Owner's Manual.
- Use this equipment only in accordance with the Owner's Manual. Familiarize yourself with all components prior to use. Check and test completed assembly as directed in this Owner's Manual. Failure to read and follow the Owner's Manual is a misuse of the equipment.

WARNINGS



INTENDED USE

- This equipment is intended for use in commercial operations by personnel trained and experienced in the safe use of commercial cleaning compounds, including those that may be classified as hazardous materials and high pressure equipment.
- The equipment should never be used in a hazardous environment. It should never be used in an area containing volatile chemicals, or any area containing volatile or explosive levels of gas, vapor or particulates.
- Do not alter or modify the equipment, including the design of the 500M and sprayer. Alterations or modifications void your equipment's Limited Warranty and may create safety hazards.

GENERAL PRECAUTIONS

- Read and fully understand the Owner's Manual prior to use.
- Obtain, read, and fully understand the product labels and warnings of all commercial chemical products, as well as the Safety Data Sheets (SDS) for those products prior to using them with this equipment.

EQUIPMENT MISUSE HAZARD



- Use the equipment only for its intended use as directed in this Owner's Manual.
- Only trained and qualified personnel should operate the equipment.
- Do not operate the equipment while fatigued or under the influence of drugs or alcohol.
- Keep equipment and commercial chemical products away from children and pets.
- Do not turn on power to sprayer until ready to spray in order to avoid unintentional spray release. Turn off all

equipment when not in use.

- Do not place body parts or any foreign objects into, or in front of, any opening of the sprayer.
- Never operate the equipment if it has been damaged or if it is not working properly.
- Serious injury could occur from chemical leaks if sprayer is improperly assembled.
- Always hold the sprayer firmly when spraying at higher pressures to prevent sprayer from whipping, accidental self spraying, or other injury. Keep good footing and balance at all times.
- Check equipment daily and prior to each use. Repair or replace worn or damaged parts immediately with genuine replacement parts from EDIC only.
- Store equipment in a cool, dry place, away from heat and open flames. Do not expose to extreme temperatures.
- Directly spray only toward appropriate surfaces and never aim the sprayer at yourself or another person.

FIRE, EXPLOSION AND ELECTRIC SHOCK HAZARD AND ELECTRICAL SAFETY



- Use and clean equipment only in well-ventilated area.
- Never spray a flammable chemical.
- Keep spray area free of debris, including solvents, rags, gasoline or any flammable chemicals.
- Keep a working fire extinguisher in the work area.
- Turn off and unplug the equipment whenever leaving the equipment unattended.
- Flush the equipment often, including after each use, before storing, and when switching chemicals.

PERSONAL PROTECTIVE EQUIPMENT



- Always use appropriate personal protective equipment (PPE) when operating the equipment, or when in the work area, to help prevent serious injury. Refer to chemical product's SDS for those products for the proper PPE required for each cleaning agent utilized.
- Use of fully enclosed eyewear protections, such as goggles, is recommended when using this equipment.
- Refer to commercial chemical product's SDS for any additional PPE recommended for use with the cleaning products being utilized.

CHEMICAL SAFETY PRECAUTIONS



- Obtain, read, understand and follow the chemical product's SDS and label prior to use.
- Know and use the phone number of the local poison control center if any questions arise during product use.
- Know emergency and first aid procedures related to the chemical product in use before handling. Sprayer leaks, bodily chemical contact, poisoning, and spills require immediate response.
- Follow the chemical product's recommendations to handle, mix, apply, store and dispose of chemicals.
- Know applicable licensing and regulatory requirements for chemicals you intend to use.
- Ensure the area being sprayed has proper ventilation.
- Know the length of time required by each chemical product application before allowing people and pets to return to the sprayed areas.
- Do not use flammable, combustible, volatile or corrosive materials in sprayer.
- Flush sprayer before switching chemicals in accordance with chemical product's labels and SDS in order to prevent mixing of chemicals and/or dangerous chemical interactions. To dispose of chemical products, refer to product labels or SDS.
- Avoid inhaling, ingesting, or coming into contact with any chemicals.

PRESSURIZED EQUIPMENT HAZARD.



- Fluid from equipment that leaks or ruptures from a component can splash in the eyes or on skin, causing serious injury. To help prevent a leak or rupture, check hoses, tubes and couplings daily and before each use. Replace worn or damaged parts immediately.

PLASTIC PARTS CLEANING SOLVENT HAZARD

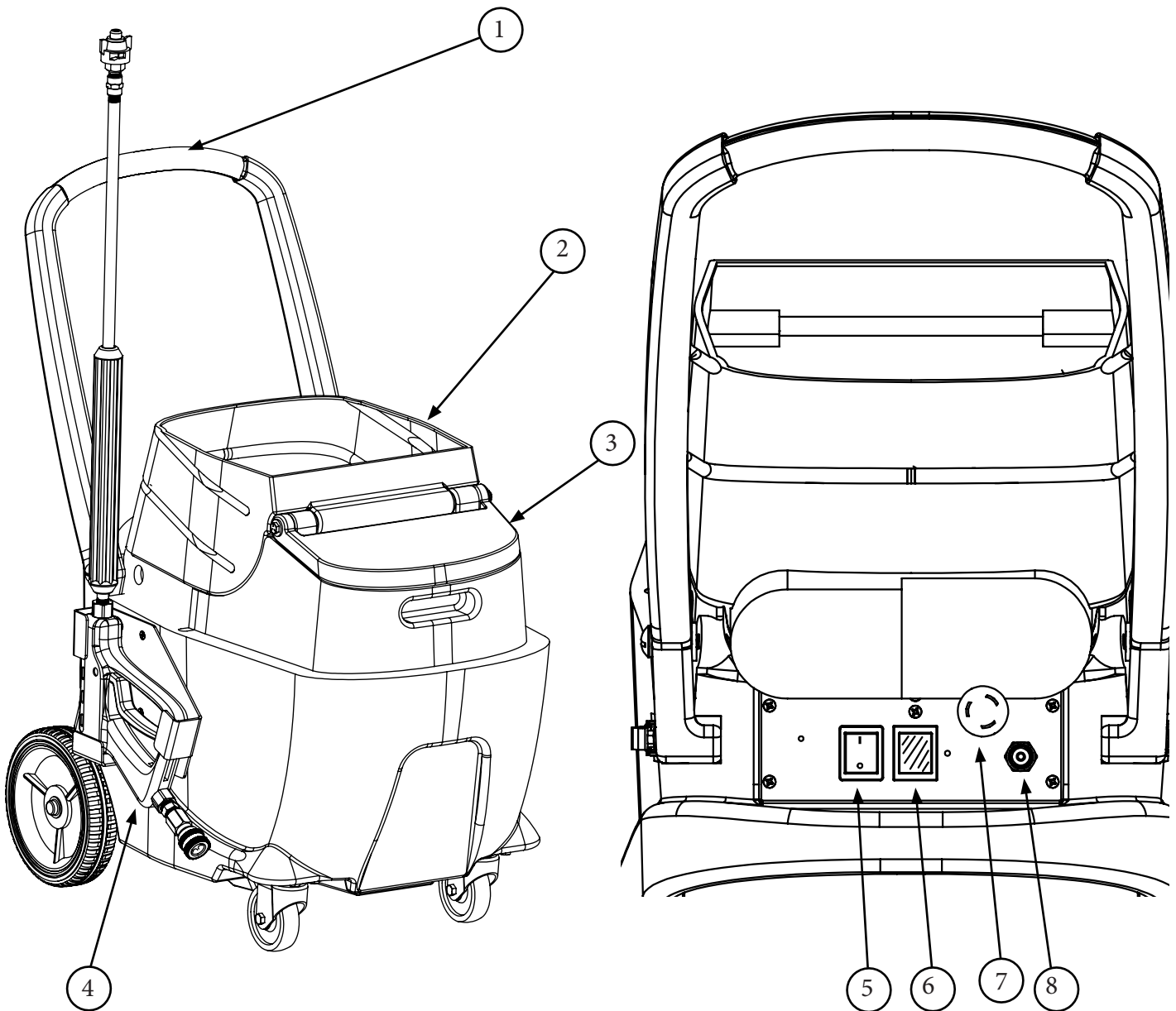


To help prevent product degradation, use only compatible water-based solvents to clean plastic structural or pressure-containing parts. Many solvents can degrade plastic parts to the point where they could fail. Such failure could cause serious injury or property damage. Read fluid and solvent manufacturers' SDS and recommendations prior to use.

OVERALL EMPLOYEE SAFETY



- Always consult the SDS prior to use of any chemicals.
- Always wear PPE when filling, using, cleaning, and servicing the sprayer.
- Follow the PPE requirements as recommended by the chemical product's SDS.
- Clean up spills immediately per instructions on chemical label or SDS.
- Wear additional PPE when spraying overhead. In overhead situations, the operator will be subjected to much more chemical exposure.
- Be aware of poisoning symptoms and know the appropriate first aid protocol of your organization if poisoning symptoms appear to be present.
- Observe all chemical product recommendations including such items as how long to wait before allowing people or pets return to the treated areas.
- Improper use of the sprayer or handling of chemicals could result in serious injury or illness to the operator or nearby persons/animals, or could cause damage to the environment.



- 1. HANDLE
- 2. STORAGE COMPARTMENT
- 3. SOLUTION TANK ACCESS
- 4. MISTING GUN AND HOLSTER BRACKET

- 5. POWER SWITCH
- 6. BLANK SWITCH COVER (NO SWITCH)
- 7. POWER CORD STUB
- 8. SOLUTION QUICK DISCONNECT

CONNECTING YOUR MISTER GUN:

Connect your Gun to the end of the solution line/ Solution hose by pulling back the lock ring on the female and inserting the male quick connect. Release the female lock ring. Connect the opposite end of the solution hose to the male quick disconnect on the machine (# 8 on page 7)



OPERATING THE 500M:

Prepare your chemical and place it into the solution tank (#3 on page 7). Follow your chemical manufacturer's dilution ratios.

Once you have filled the machine with the appropriate chemical, you may begin spraying. Always evaluate the area for the best application technique. Take special care around sensitive electronics, fabrics, surfaces, artwork, etc. that cannot be sprayed.

We recommend you start at the furthest area from the entrance, eventually moving back toward the door. The area closest to the door should be done last so as to prevent cross-contamination by equipment or personnel. Due to the differences, in spaces that will be cleaned, you will need to determine the best course of action for your particular floor plan. The information above is a basic guideline. However, only you can determine the best plan for the building you are cleaning.

Once a plan of action has been determined for the space you are cleaning, begin spraying the fine mist over all surfaces that are able to be sprayed.

Use a floor to ceiling pattern of spray stroke while you walk sideways in any particular direction. Take care to overlap strokes to eliminate the possibility of missed areas. Take special care to spray over, under, behind and on the sides of objects such as desks, chairs, hand rails, door knobs, handles, etc.

GENERAL TIPS:**Safety:**

Wear appropriate PPE (personal Protective Equipment) such as gloves, face masks, eye protection, disposable shoe covers, etc., according to the chemical you are using as well as local, state and federal guidelines.

Cross-contamination:

To minimize the risk of transporting microbes from area to area, discard and replace all disposables such as gloves, shoe covers, etc., before entering a new area. Spray the cleaning equipment down including wheels, hoses, etc., and allow appropriate dwell time before moving on to another area.

Maintenance:

The tip used on Mister Gun is very fine and it is susceptible to clogging. Make sure to take it apart frequently and clean the filters and tips as often as possible. To clean the tip, make a 1:4 vinegar solution (1 parts vinegar and 4 parts water). allow the tip to soak for a few hours and rinse off with clean water before reinstalling. Remove old teflon tape before re-wrapping. Do not use hard objects to open up clogged tips. This can damage the tip and result in reduced or total loss of performance.

MAINTENANCE OF EXTERNAL EQUIPMENT:

Consult your machine's manual for tips on cleaning filters, etc.

END OF DAY PROCEDURE:

To minimize clogging of the spray gun and premature damage to pump seals, rinse the solution system daily by running clean water through the pump, solution line, and spray gun.