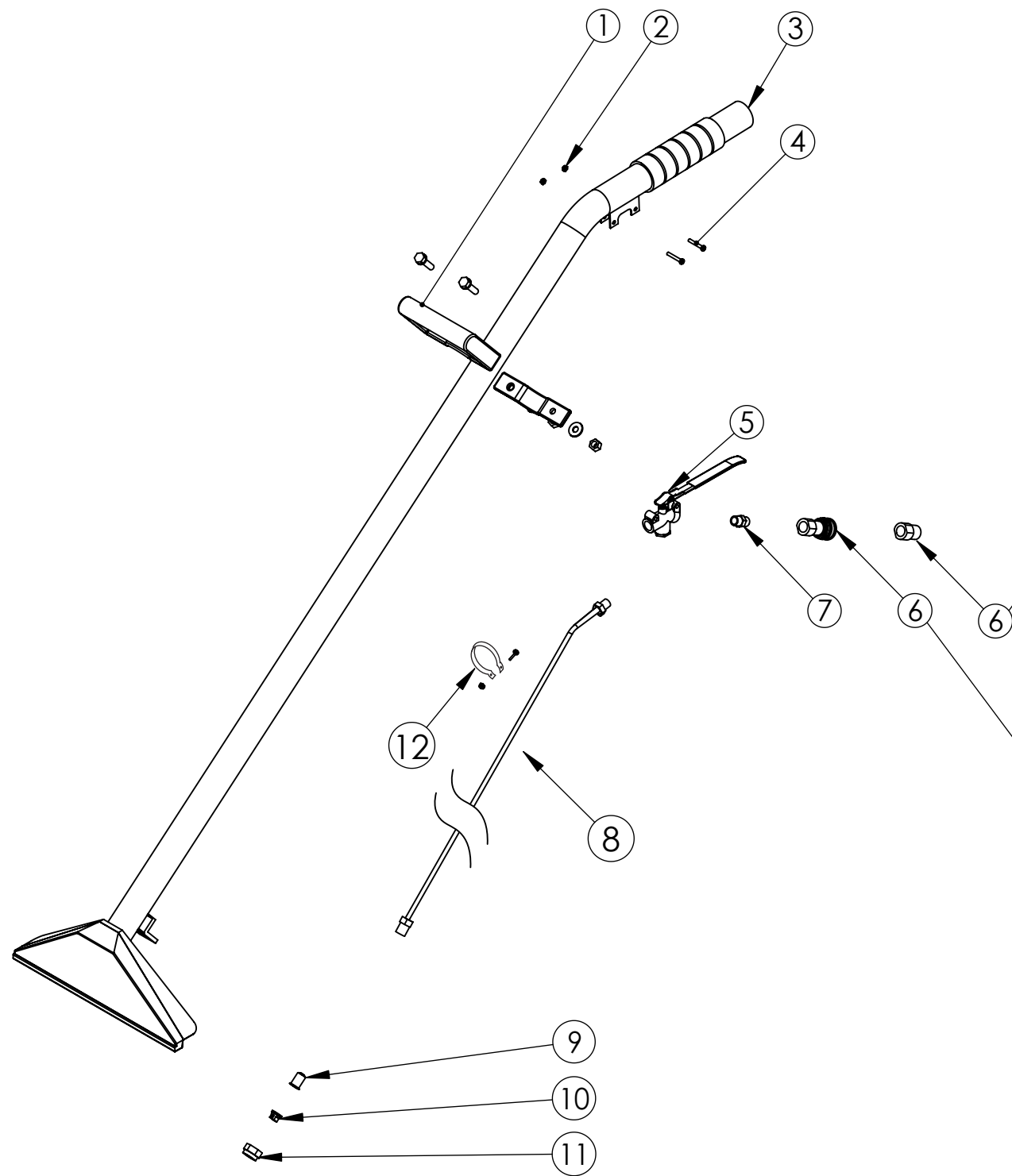


1033 CARPET WAND

2-15-17



1033
2-15-17

ITEM NO.	1033-11003MB	1033-110015MB	QTY.
1	D13721 Hand Grip Assembly		1
2	C00278 Locknut, 10-32, Nylon, SS		2
3	1033M-7 Wand, Stainless Steel		1
4	C11491 Screw, 10-32 X 1 in,Truss Hd., Stainless, Phillips		2
5	G00526-1 Spray Valve Assembly		1
6	A00104 QD, 1-4M X 1-4FP		1
7	A12960 .25 X .25 Brass Hex Nipple		1
8	13787A SS Solution tube assembly		1
9	A00094B Check Valve with Strainer		1
10	A00094A-11 Spray Tip Only, 11003	A00094A-15 Spray Tip Only, 11006	1
11	A00094D Check Valve Cap		1
12	D13791 Solution tube bracket with hardware		1

ITEM NO.	1033-11003FB	1033-110015FB	QTY.
1	D13721 Hand Grip Assembly		1
2	C00278 Locknut, 10-32, Nylon, SS		2
3	1033M-7 Wand, Stainless Steel		1
4	C11491 Screw, 10-32 X 1 in,Truss Hd., Stainless, Phillips		2
5	G00526-1 Spray Valve Assembly		1
6	A00102 QD, 1-4F X 1-4FP		1
7	A12960 .25 X .25 Brass Hex Nipple		1
8	13787A SS Solution tube assembly		1
9	A00094B Check Valve with Strainer		1
10	A00094A-11 Spray Tip Only, 11003	A00094A-15 Spray Tip Only, 11006	1
11	A00094D Check Valve Cap		1
12	D13791 Solution tube bracket with hardware		1