

Bissell[®]

BigGreen Commercial[®]

Rechargeable 2 in 1 Stick/Hand Cyclone Vacuum

Model: BGSV696



Read this instruction manual carefully before operating the unit and keep for future reference. Failure to observe and comply with these instructions may result in an accident.

IMPORTANT SAFETY INSTRUCTIONS

When using an electrical appliance, basic precautions should be observed, including the following:

READ ALL INSTRUCTIONS BEFORE USING YOUR BISSELL BIGGREEN COMMERCIAL VACUUM.

Always connect to a polarized outlet (left slot is wider than right). Unplug from outlet when not in use and before conducting maintenance.

⚠ WARNING: **To reduce the risk of fire, electric shock, or injury:**

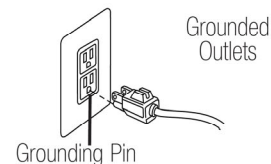
- Do not modify the polarized plug to fit a non-polarized outlet or extension cord.
- Do not leave vacuum cleaner unattended when it is plugged in.
- Unplug from outlet when not in use and before servicing.
- Do not use outdoors or on wet surfaces.
- Do not allow children to operate vacuum cleaner or use as a toy.
- Close attention is necessary when used by or near children.
- Do not use for any purpose other than described in this user's guide.
- Use only manufacturer's recommended attachments.
- Do not use with damaged cord or plug.
- If appliance is not working as it should, has been dropped, damaged, left outdoors, or dropped into water, have it repaired at an authorized service center.
- Do not pull or carry by cord, use cord as a handle, close a door on cord, or pull cord around sharp edges or corners. Do not run appliance over cord. Keep cord away from heated surfaces.
- Do not unplug by pulling on cord. To unplug, grasp the plug, not the cord.
- Do not handle vacuum cleaner or plug with wet hands.
- Do not put any object into openings. Do not use with any opening blocked; keep openings free of dust, lint, hair, and anything that may reduce air flow.
- Keep hair, loose clothing, fingers, and all parts of body away from openings and moving parts.
- Turn off all controls before plugging or unplugging vacuum cleaner.
- Use extra care when cleaning stairs.
- Do not pick up flammable materials (lighter fluid, gasoline, kerosene, etc.) or use in the presence of explosive liquids or vapors.
- Do not pick up toxic material (chlorine bleach, ammonia, drain cleaner, etc.).
- Do not use vacuum cleaner in an enclosed space filled with vapors given off by oil base paint, paint thinner, some moth proofing substances, flammable dust, or other explosive or toxic vapors.
- Do not pick up hard or sharp objects such as glass, nails, screws, coins, etc.
- Do not pick up anything that is burning or smoking, such as cigarettes, matches, or hot ashes.
- Do not use without filters in place.
- Use only on dry, indoor surfaces.
- Keep appliance on a level surface.

- Do not operate cleaner in bare feet or when wearing open-toe shoes or sandals.
- This machine is equipped with an automatic thermal protection device. If the motor gets too hot, the thermal device will automatically after the motor cools down.

SAVE THESE INSTRUCTIONS. THIS MODEL IS FOR COMMERCIAL USE.

GROUNDING INSTRUCTIONS

This appliance must be connected to a grounded wiring system. If it should malfunction or break down, grounding provides a safe path of least resistance for electrical current, reducing the risk of electrical shock. The cord for this appliance has an equipment-grounding conductor and a grounding plug. It must only be plugged into an outlet that is properly installed and grounded in accordance with all local codes and ordinances.

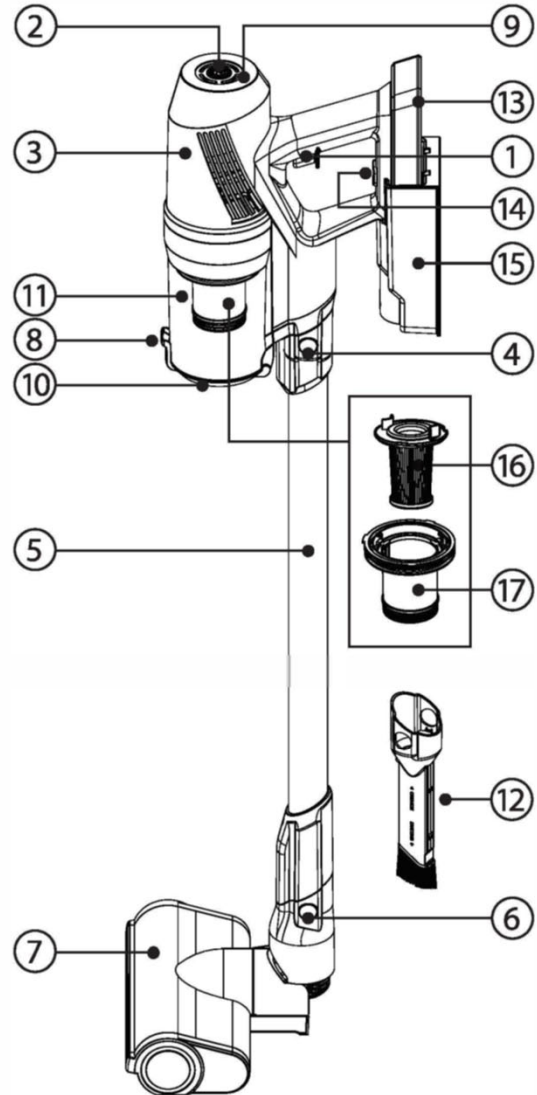


⚠ WARNING:

Improper connection of the equipment-grounding conductor can result in a risk of electrical shock. Check with a qualified electrician or service person if you aren't sure if the outlet is properly grounded. **DO NOT MODIFY THE PLUG.** If it will not fit the outlet, have a proper outlet installed by a qualified electrician. This appliance is designed for use on a nominal 120-volt circuit, and has a grounding attachment plug that looks like the plug in the drawing above. Make certain that the appliance is connected to an outlet having the same configuration as the plug. No plug adapter should be used with this appliance.

Parts List

- ① On/Off power button
- ② Speed control button
- ③ Motor
- ④ Main body release button
- ⑤ Metal tube
- ⑥ Main brush release button
- ⑦ Main brush nozzle
- ⑧ Dust tank bottom cover release clip
- ⑨ Battery level/Charging indicator
- ⑩ Dust tank bottom cover
- ⑪ Dust tank
- ⑫ 2 in 1 brush nozzle
(Crevice nozzle with small brush)
- ⑬ Battery pack
- ⑭ Battery pack release button
- ⑮ Wall charger base
- ⑯ HEPA filter
- ⑰ Filter protector

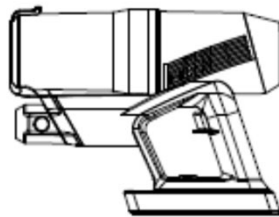
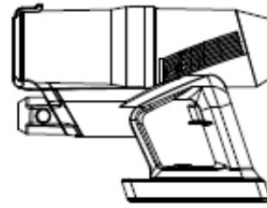


** Pictures are for illustration purpose only.*

Specification

Model:	BGSV696
Battery Voltage:	22.2V
Power:	120 watts
Adaptor Input Voltage:	AC100-240V - 50/60Hz
Adaptor Output Voltage:	24V DC
Battery Type:	Li-ion Battery Pack
Filtration Type:	HEPA
Dirt Cup Capacity:	0.5 Liters
Suction Power:	High Speed -11kPa Low Speed – 7kPa
Battery Operating Time:	45 Minutes Max
Charging Time:	4 Hours

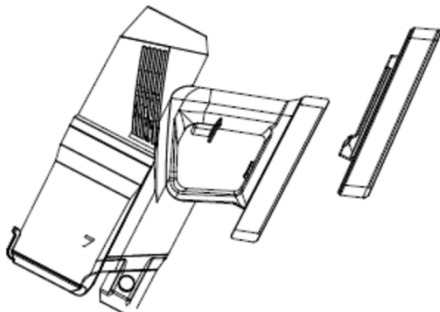
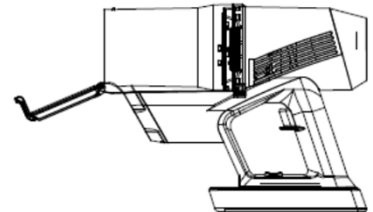
Keep away from heaters, such as radiator, cigarette butts, etc.



Do not suction combustible or liquids with this vacuum, such as cigarettes or gasoline.

Assembly

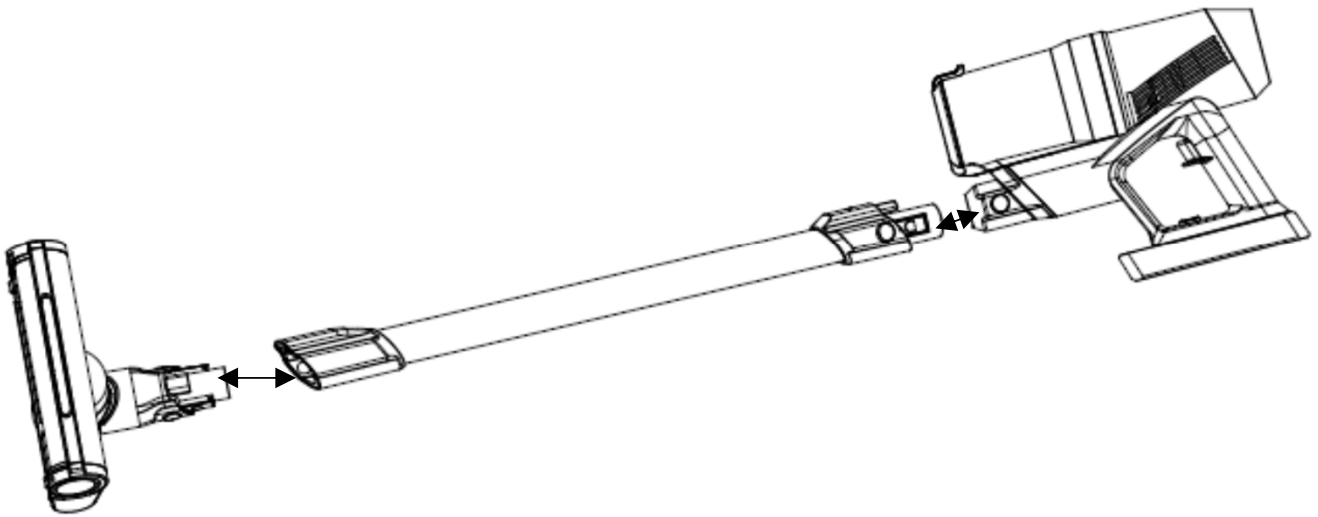
1. Place the filters inside the dirt cup, turn the cone and align the notches on the cone with the ridges of the dirt cup.
2. Insert the filter into the cone, then the dirt cup into the motor until you hear a click.



3. Attach the battery to the vacuum by sliding battery into vacuum until you hear a click.

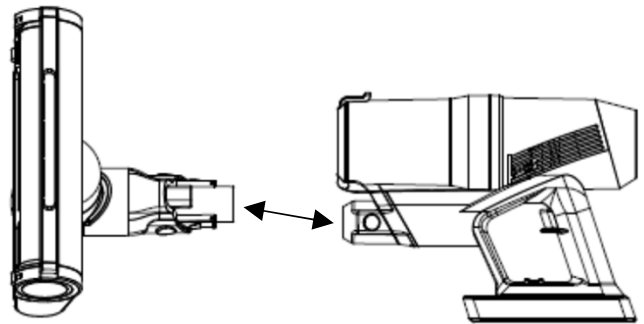
Attaching accessories to vacuum unit simply insert tube into the hole in vacuum until it is securely attached, and you hear a click.

Insert power head into the tube until it is securely attached, and you hear a click.

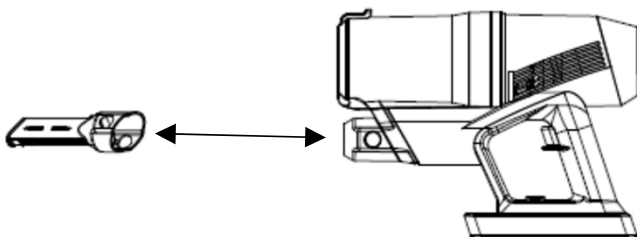


Installing the main floor brush

If you need to connect the floor brush to the vacuum cleaner, connect it directly to the vacuum cleaner body as shown in the picture.



Installing 2 in 1 brush



To connect the 2 in 1 brush to the vacuum cleaner, connect it directly to the vacuum cleaner body as shown in the picture.

OPERATING GUIDELINES

Before the first use :

- Remove all protective covers or stickers from the unit. Check that all the accessories are included and that they are in good condition.
- Assemble the vacuum cleaner as explained.
- Attach charger / wall bracket to wall
- Position the vacuum cleaner on the wall bracket, plug it in and let it charge fully.
- When the battery is charging, an indicator light will light up. When charging is complete, all 4 indicator lights are on.

Important:

Do not leave the charger connected continuously. Unplug it once your vacuum cleaner is charged. This will save you energy and extend the life of your charger. The battery provided is only suitable for this vacuum cleaner.

Note:

You must fully charge the battery before the first use and when the vacuum has been unused for a long period of time. When the battery starts to weaken, recharge it immediately with the adapter.

Operating Vacuum:

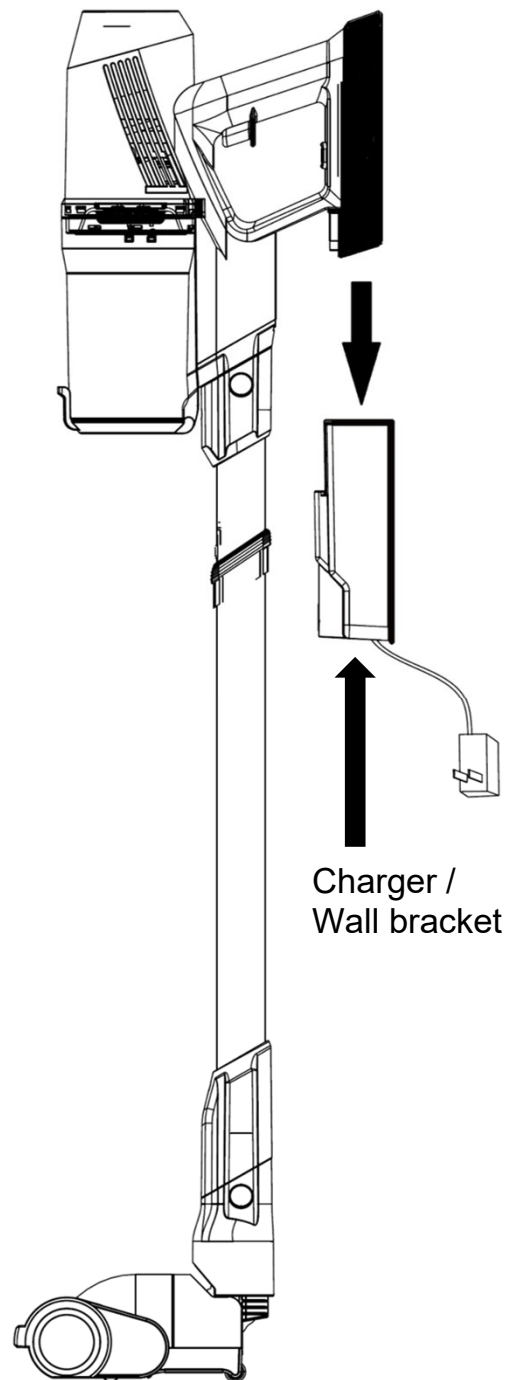
Turn the vacuum cleaner on and off with the on/off button and use the speed control button to adjust the power.

2 in 1 Accessory:

- Insert the 2-in-1 accessory into the main unit and push the brush head backwards. This accessory is perfect for cleaning sofas, corners, stairs, keyboards, furniture, shelves, electrical appliances and narrow spaces.
- Insert the 2-in-1 accessory into the vacuum cleaner tube and push the brush head back. You can now reach the ceiling and other high areas.

Main Brush:

- Attach the power head to the tube. The power head is ideal for vacuuming floors and carpets.



Cleaning and Maintenance:

Clean the body of the appliance with a soft, dry cloth. Never use detergents or abrasives to avoid damaging the unit.

Never immerse the appliance in water or any other liquid.

Store the unit in a place away from direct sunlight.

To Empty Dirt Cup:

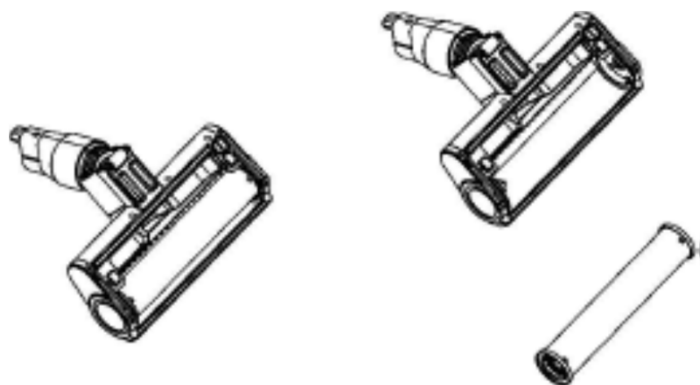
Press the unlock button to separate the dirt cup from the vacuum. Then press the button on dirt cup and empty the compartment.

To clean the dirt cup:

Remove the dirt cup, remove the filter and the plastic filter. Wash and air dry both filters.

To clean the main brush:

Slide the tab at the bottom of the power head, remove the brush and clean it.



Troubleshooting:

Problem	Possible Causes	Solution
The appliance cannot be switched on.	The battery is out of charge / The vacuum is being charged.	Recharge the vacuum / Unplug the vacuum.
Not enough suction power.	The dirt cup is full / The filter is blocked.	Empty the dirt cup / Clean the filter.
Poor cleaning performance / Dust escapes the dirt cup.	The dirt cup is full / The filter is blocked / The filter is damaged.	Empty the dirt cup / Clean the filter / Replace the filter.
The battery is not recharging.	The battery has reached the end of its working life.	Contact customer service 1-800-242-1378.
Abnormal sound during cleaning.	The rolling brush may be entangled with foreign objects / The dirt cup is full.	Switch the vacuum off and clean it / Empty the dirt cup.

Warranty – BISSELL BigGreen Commercial Vacuum

This warranty gives you specific legal rights, and you may also have other rights which may vary from state to state. If you need additional instruction regarding this warranty or have questions regarding what it may cover, please contact BISSELL Consumer Care by E-mail, telephone, or regular mail as described below.

Limited One-Year Limited Warranty

Subject to the *EXCEPTIONS AND EXCLUSIONS identified below, upon receipt of the product BISSELL will repair or replace (with new or remanufactured components or products), at BISSELL's option, free of charge from the date of purchase by the original purchaser, for one year any defective or malfunctioning part.

See information below on "If your BISSELL product should require service". This warranty does not apply to fans or routine maintenance components such as filters, belts, bumpers, bags, or brushes. Damage or malfunction caused by negligence, abuse, neglect, unauthorized repair, or any other use not in accordance with the user's guide is not covered.

If your BISSELL product should require service:

Contact BISSELL Consumer Care to locate a BISSELL Authorized Service Center in your area. If you need information about repairs or replacement parts, or if you have questions about your warranty, contact BISSELL Consumer Care.

Website

www.bissellcommercial.com

Or Call:

BISSELL Commercial Consumer Care

1-800-242-1378

Monday - Friday 8 am - 6 pm ET

BISSELL IS NOT LIABLE FOR INCIDENTAL OR CONSEQUENTIAL DAMAGES OF ANY NATURE ASSOCIATED WITH THE USE OF THIS PRODUCT. BISSELL'S LIABILITY WILL NOT EXCEED THE PURCHASE PRICE OF THE PRODUCT.

Some states do not allow the exclusion or limitation of incidental or consequential damages, so the above limitation or exclusion may not apply to you.

***EXCEPTIONS AND EXCLUSIONS FROM THE TERMS OF THE LIMITED WARRANTY**

THIS WARRANTY IS EXCLUSIVE AND IN LIEU OF ANY OTHER WARRANTIES EITHER ORAL OR WRITTEN. ANY IMPLIED WARRANTIES WHICH MAY ARISE BY OPERATION OF LAW, INCLUDING THE IMPLIED WARRANTIES OF MERCHANTABILITY AND FITNESS FOR A PARTICULAR PURPOSE, ARE LIMITED TO THE ONE YEAR DURATION FROM THE DATE OF PURCHASE AS DESCRIBED ABOVE.

Some states do not allow limitations on how long an implied warranty last so the above limitation may not apply to you.