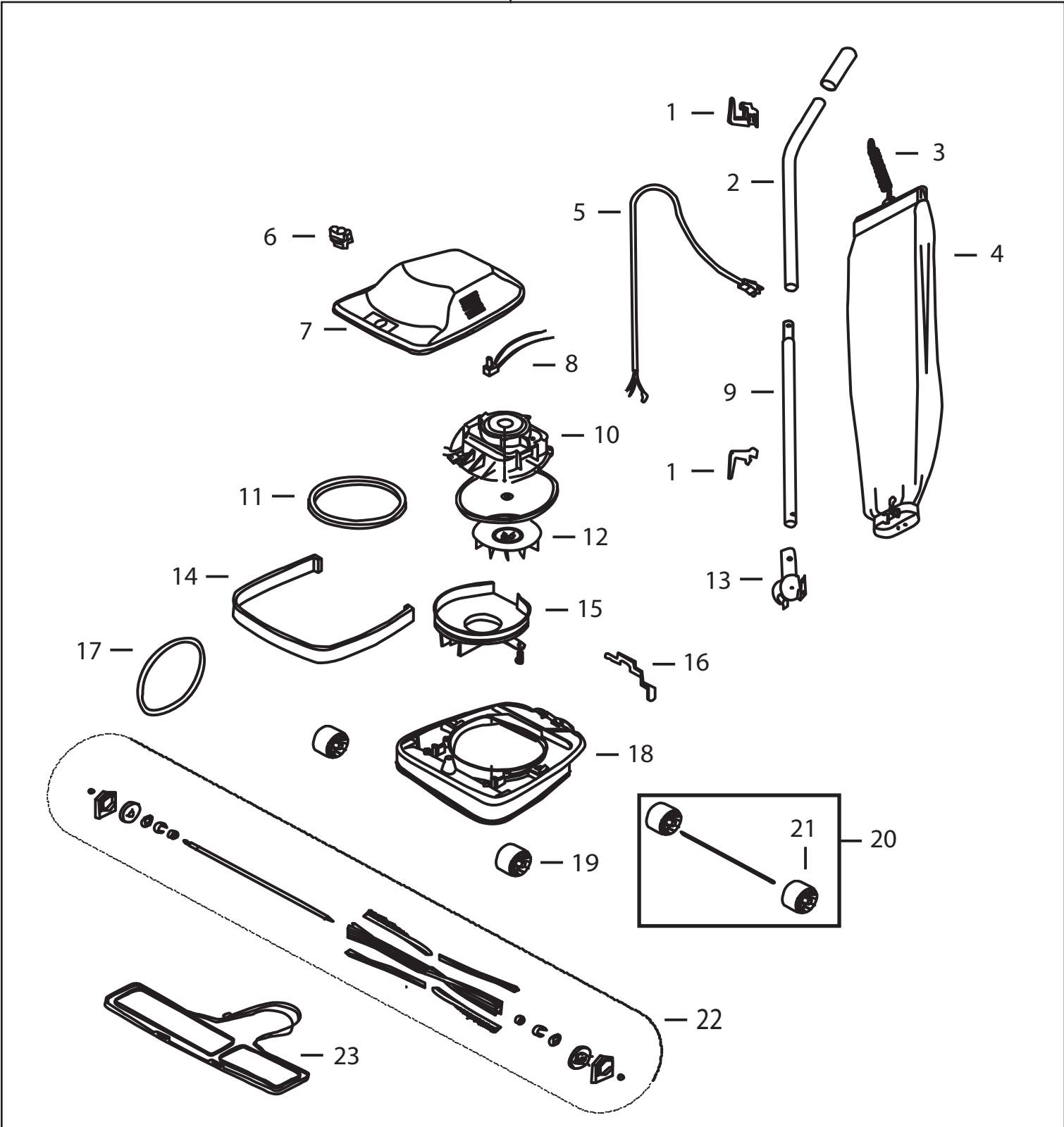




Bissell BigGreen Commercial
ProBag Model BG101H



Bissell BigGreen Commercial

ProBag Model BG101H



KEY	PART NO	DESCRIPTION
1	2037848	Cord Retainer Set
2	2038328	Handle Tube Assy Upper w/Handle Grip (does not come with nut & bolt)
3	2038330	Spring
4	2038342	Cloth Bag Assy w/ Plastic
5	2037853	Cord Yellow, 50 FT
6	2038304	Height Adjustment Knob
7	2038301	Hood, Chrome w/ Name Plate
8	2038312	Switch, Push
9	2038329	Handle Tube, Lower
10	2037828	Motor Assembly
11	2038313	Gasket, Motor
12	2037847	Fan
13	2038331	Handle Socket Assy w/ Spring
14	2038318	Bumper 12"
15	2038316	Cover, Fan Chamber
16	2038308	Foot Pedal
17	2037843	Belt
18	2038310	Base Assy 12" w/ magnet
19	2038321	Front Wheel (qty 1)
20	2037842	Rear Wheel & Axle Assembly
21	2038320	Rear Wheel (qty 1)
22	2037855	Brush Assembly AL, 12"
23	2038336	Plate Assy, Bottom, 12"
xx	9469	Paper Bag 4 pk
xx	2038302	Bushing, Strain Relief
xx	2038303	Screw, Shoulder
xx	2038305	Air Inlet Duct (RH)
xx	2038307	Spring, Foot Pedal
xx	2038309	Spring, Hood
xx	2038314	Air Inlet Duct (LH)
xx	2038315	Spring, Adapter Retainer
xx	2038322	Carbon Motor Brush
xx	2038324	Base Assy, Motor
xx	2037950	Bristle Strip, 12"
xx	2038326	Rubber Cap Ends for all Rollers
xx	2038327	Fan Washer
xx	1600498	Nut & Bolt Set
xx	2038317	Magnet (qyt 1)

BISSELL Business Ventures, Inc.	Issued: February 2013 Revised: © 2013 BISSELL Homecare Inc.
---------------------------------	---