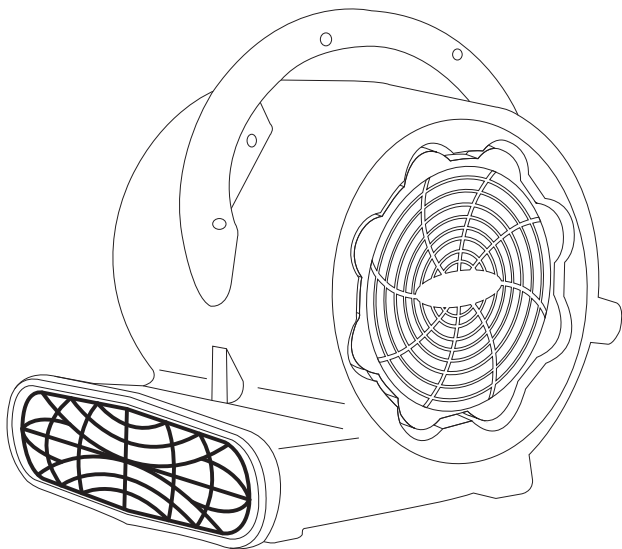


AM10D MANUAL



We specialize in innovative design and manufacturing of reliable air movers, while providing flexible and efficient real-world solutions to meet our customer's changing needs. Our movers are small and lightweight yet powerful enough to meet your restoration, drying, and ventilation needs. Our products are made to be durable and high performing.

The contents of this manual are based on the latest product information available at the time of publication. We reserve the right to make changes or improvements to the machine without notice.

GENERAL SAFETY WARNINGS

- Do not operate your air mover with a cut or frayed cord. Do not run power cord under carpeting. Do not cover power cord with rugs, runners, or similar covers. Place power cord away from traffic area to prevent tripping.
- Do not unplug your unit by pulling on its cord. Firmly grasp the plug and pull it out of the wall socket or power receptacle.
- The plug has a safety ground pin installed that must not be removed. If the pin is damaged or missing, replace the power cord before further use. Visually inspect the power cord before each use. Ignoring these safety precautions may result in a fire or electrical shock.
- Always use a GFCI outlet. Contact a qualified electrician for verification and/or installation of a GFCI receptacle if necessary.
- To reduce the risk of fire or electrical shock, do not use this fan with any after-market or solid-state speed control device.
- To prevent electric shock, do not operate the unit in standing water. Never plug in or unplug the unit with wet hands or while standing in water.
- Do not drop the unit. Sudden and severe impact may result in damage to internal components.

- Do not operate unit with the safety grills, existing covers, shields, or housing removed. Personal injury may result. Do not stick fingers or objects into the safety grills.
- To avoid injury, do not direct air flow at face or body. Do not allow children to play with or around unit at any time.
- Do not move or carry air mover while unit is operating.
- Drop cloths or other loose fabrics can be drawn against the unit thereby restricting airflow. This may cause the unit to overheat. Keep area around unit free and clear of any obstructions.
- Save the shipping carton in case your air mover needs to be returned.
- This unit should never be serviced or cleaned while it is plugged into a live electrical power source.
- Keep away from heat, chemicals, and other potential hazardous materials.
- Use equipment as instructed and with manufacturer's recommended accessories.
- Do not operate this equipment while impaired, distracted, or under the influence of alcohol, drugs, or medication.

OPERATING INSTRUCTIONS

When operating the unit, please adhere to the following:

- Inspect unit upon receipt for any freight damages. Be sure to keep all original packaging if return process is required. If you discover any damages, please contact your distributor.
- Check the machine for any obstructions in the fan or airflow areas before plugging the unit in for operation.
- Set the machine in the desired orientation for operation.
- Ensure the switch is in the (OFF) position.
- Plug the power cord into a GFCI outlet.
- Do not use an extension cord.
- Do not use an adapter.
- Check GFCI protection by pushing “TEST” button. If operating properly, “RESET” button will pop out. Remember to press “RESET” button after testing to use machine.
- Do not plug more than a total of 12 amps into the GFCI outlet.
- Turn unit on

- When ‘daisy-chaining’ the machines, turn one unit on at a time to prevent excessive current flood from starting multiple units at one time.
- If red LED begins to flash, the unit has lost GFCI protection and should be replaced immediately.

USER SERVICING

Never service or clean this unit while it is plugged into outlet.

SYMPTOM	PROBLEM	SOLUTION
Unit will not turn on	<ul style="list-style-type: none"> • Not plugged in • Switch is worn • Tripped circuit breaker • Short in power cord • Capacitor on motor is damaged 	<ul style="list-style-type: none"> • Plug unit into proper outlet • Replace switch • Reset breaker • Replace power cord or replace cord end • Replace motor
Air mover will not operate on all speeds	<ul style="list-style-type: none"> • Switch is worn • Capacitor on motor is worn or damaged 	<ul style="list-style-type: none"> • Replace switch • Replace motor
Air mover runs or starts slowly	<ul style="list-style-type: none"> • Capacitor terminal may be shorting 	<ul style="list-style-type: none"> • Replace motor
The fan is rubbing	<ul style="list-style-type: none"> • Fan is off-center 	<ul style="list-style-type: none"> • Replace fan
Air mover is making strange noises	<ul style="list-style-type: none"> • There is a foreign object stuck near fan • Motor bearing is worn • Fan is rubbing 	<ul style="list-style-type: none"> • Turn off motor and unplug unit then remove foreign object • Replace motor • Replace fan

WARRANTY AND LIMITATION OF LIABILITY

Edmar Floor Care (the "Company") warrants to the first end-user purchaser that the equipment and parts thereof, when shipped, will be free from defects in materials and the Company's workmanship. If any such defects exist or later appear, the Company shall provide prompt remedial action, as stated herein, to correct the defect. The Company shall have no obligation or liability under this Warranty unless the customer has obtained a Return Authorization (RA). To obtain an RA you must present proof of purchase, with original sales receipt or other reasonable, reliable, and agreed upon means. To obtain an RA, contact Edmar Floor Care and ask for a customer representative for RA and arrangements to be made for repair or replacement at the Company's option.

This warranty covers Edmar Floor Care products and equipment. Only an Edmar Floor Care designated service provider shall perform warranty service.

The end-user is responsible for all shipping to the Company. End-user is also responsible for normal care and proper return packaging.

Warranty is subject to, and shall be applicable only if, the following conditions are met:

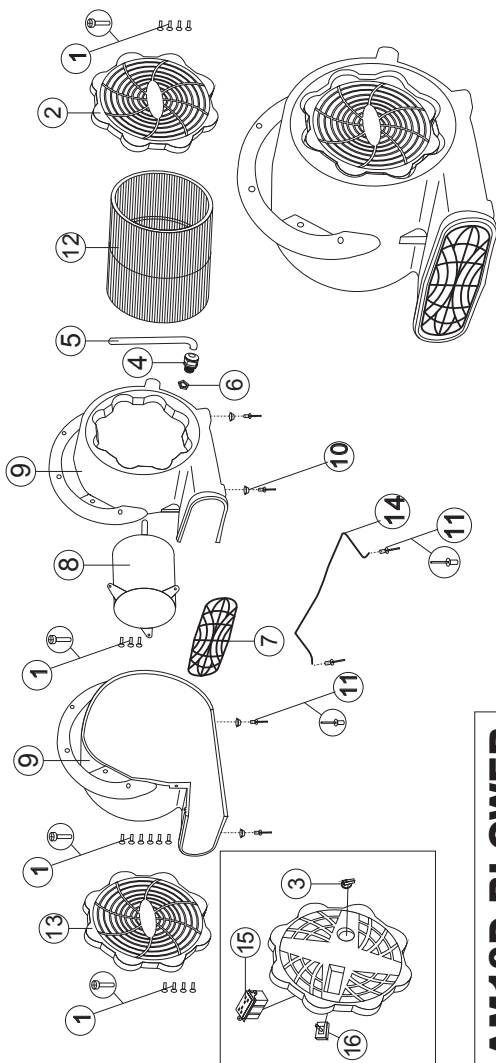
- The Company's instructions as to usage, operation, and maintenance have been followed;
- The equipment, and parts thereof, have been used under normal indoor operating conditions;
- The equipment, and parts thereof, have been correctly operated and maintained and have not been damaged by misuse, neglect, or accident;
- The purchaser has not attempted or performed corrective work or change on the equipment and/or parts thereof;
- The Company shall have received notice (proper RA) of any and all defects no later than 30 days after the purchaser first had knowledge of the same.

LIMITATION OF LIABILITY

THIS LIMITED WARRANTY IS IN LIEU OF ALL OTHER WARRANTIES, EXPRESS OR IMPLIED, INCLUDING, BUT NOT LIMITED TO, THOSE CONCERNING MERCHANTABILITY OR FITNESS FOR A PARTICULAR PURPOSE. THIS LIMITED WARRANTY IS ALSO IN LIEU OF ANY OTHER POSSIBLE LIABILITIES OF THE SELLER OR MANUFACTURER, WHETHER ALLEGED TO ARISE BY AGREEMENT OR BY OPERATION OF LAW. RESPECTING THE SALE, APPLICATION, USE, OR FUNCTION OF PRODUCTS, INCLUDING BUT NOT LIMITED TO CLAIMS OF NEGLIGENCE, GROSS NEGLIGENCE, STRICT LIABILITY, OR ANY OTHER TORT.

THIS WARRANTY DOES NOT APPLY TO DAMAGE OR DEFECT CAUSED BY ACCIDENT, MISUSE, NEGLIGENCE, FIRE, OR TO ANY EDMAR FLOOR CARE PRODUCT WHICH HAS BEEN SERVICED OR REPAIRED BY ANYONE OTHER THAN AN AUTHORIZED EDMAR FLOOR CARE SERVICE DISTRIBUTOR OR EDMAR FLOOR CARE FACTORY PERSONNEL. THIS WARRANTY IS VOID IF PRODUCTS ARE USED FOR ANY PURPOSE OTHER THAN THAT WHICH WAS INTENDED. THERE ARE NO OTHER WARRANTIES EXPRESSED OR IMPLIED. IN NO EVENT SHALL EDMAR FLOOR CARE BE LIABLE FOR INCIDENTAL OR CONSEQUENTIAL DAMAGES OR ANY DAMAGE TO PERSON OR PROPERTY. (Please note some states do not allow the exclusion or limitations for incidental and consequential damages).

MODEL SPECS	
Power	115V / 60Hz
Motor	1/3 HP, 3 Speed, Sealed
Amps	2.8 / 2.3 / 2.1
Safety	ETL listed
Cord Length	25 ft.
Outlet	GFCI Duplex
Airflow	1100 CFM
Weight	24.2 lbs.
Dimensions	20 x 16.25 x 18.5 inches
Material	ABS



AM10D BLOWER

ref#	description	qty
1	Screw	17
2	Side grill	1
3	Switch knob	1
4	Cord support	1
5	Power cord	1
6	Nut, hex	1

ref#	description	qty
7	Front grill	1
8	AC motor	1
9	Housing - blower	2
10	Rubber foot	4
11	Rivet	6
12	Fan wheel	1

ref#	description	qty
13	Control panel grill	1
14	Kickstand	1
15	GFC outlet	1
16	Multi speed switch	1