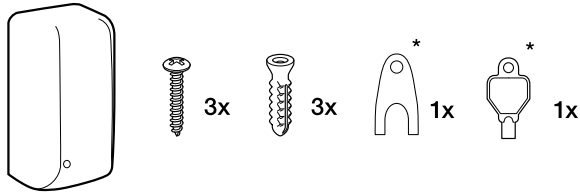


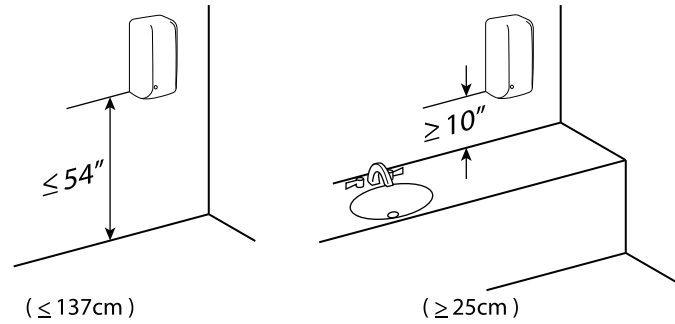
SENSOR FOAM SOAP DISPENSER

Installation Instructions

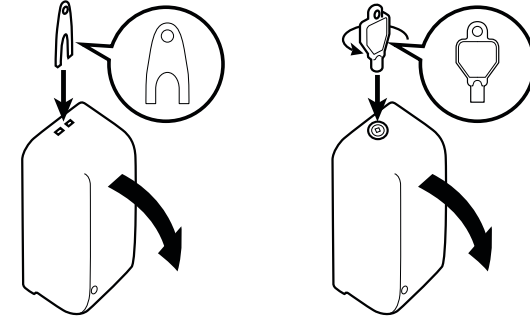


*may not be included in certain models

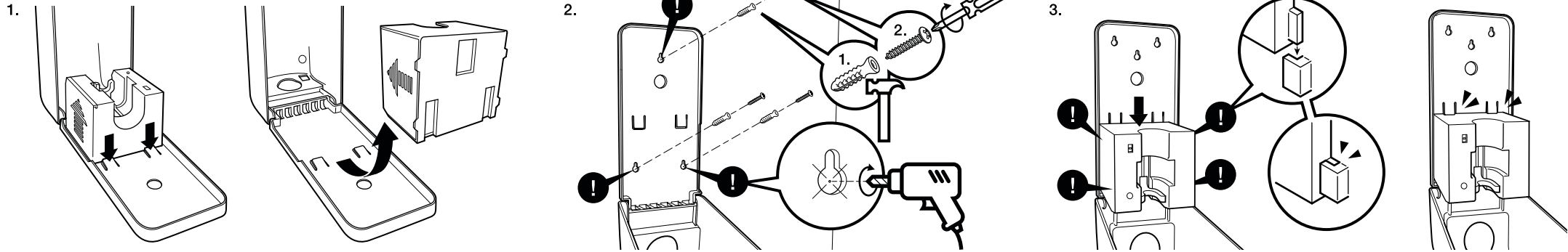
Recommended Installation Height



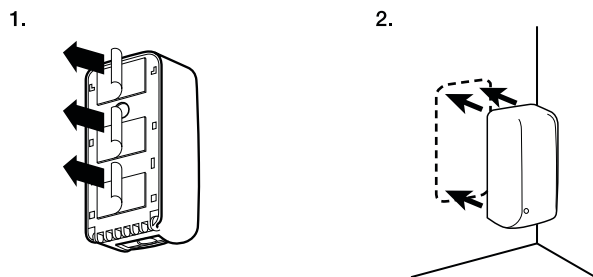
Open Dispenser



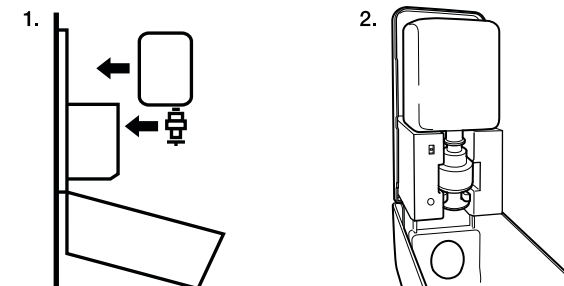
Installation with Screws



Installation with Adhesive Backing (no screws)



Install Cartridge



Install Batteries

